

Ophthalmology

Ophthalmology Instruments
Catalogue



medisana
International



Scalpal Handles	1
Micro Scissors	02 - 08
Eye Scissors	9-11
Micro Needle Holders	12 - 15
Needle Holders	16 - 19
Artery Forceps	20 - 21
Towel Clamps	21
Micro Forceps	22,30
Iris Forceps	22 -24
Suture Forceps	25
Skeleton Forceps	26
Fixation Forceps	26
Muscular Forceps	27
Advancement & Entropium Forceps	27
Trachoma Forceps	28
Strabismus Forceps	28
Capsular Forceps	29
Cilia Forceps	29
Eye Specula, Retractors	31-33
Double-ended Instruments	33,37
Cataract Knives	34
Various Eye Knives	34
Hooks and Hooklets, Retractors	35
Lens Expressors Instruments	36
Eye Spoons, Cyclodialysis Spatulas	36
Discission Needles	37
Lid Instrument	37
Calipers	38
Lacheymal Probes	38
Ear Punches	39
Cannulas	40-41

Scalpal Handles
 Scalpal Griff
 Poignee Scalpal



Scalpal Handle
 41.0106.07
 # 7



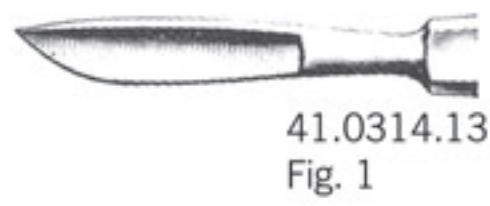
Scalpal Handle
 41.0134.03
 # 3



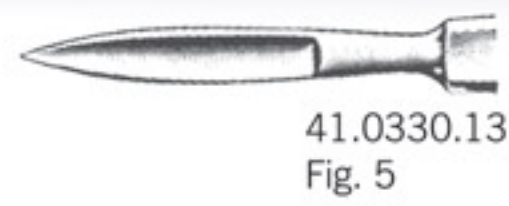
Scalpal Handle
 41.0138.04
 # 4



Dissecting Knives
 41.0314.13 - 41.0342.13
 13 cm



41.0314.13
 Fig. 1



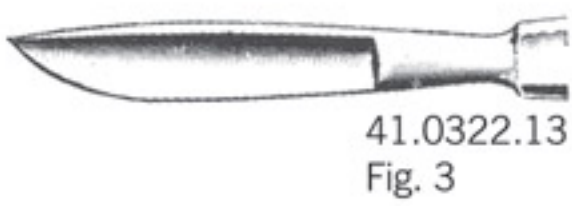
41.0330.13
 Fig. 5



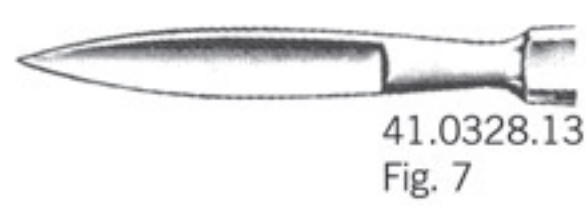
41.0318.13
 Fig. 2



41.0334.13
 Fig. 6



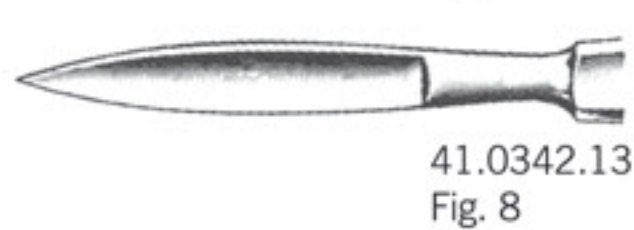
41.0322.13
 Fig. 3



41.0328.13
 Fig. 7



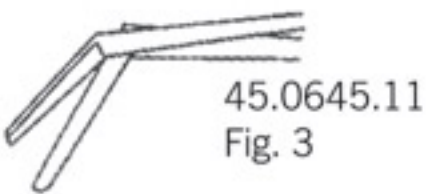
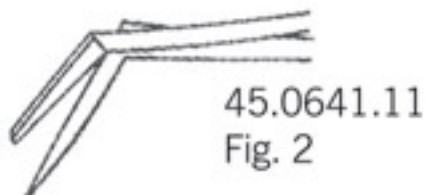
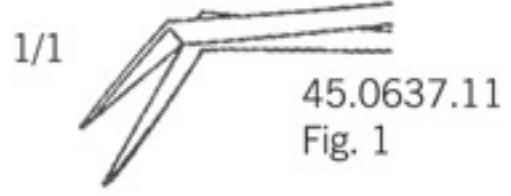
41.0326.13
 Fig. 4



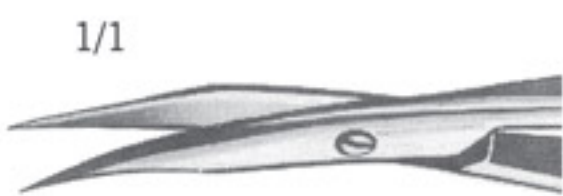
41.0342.13
 Fig. 8



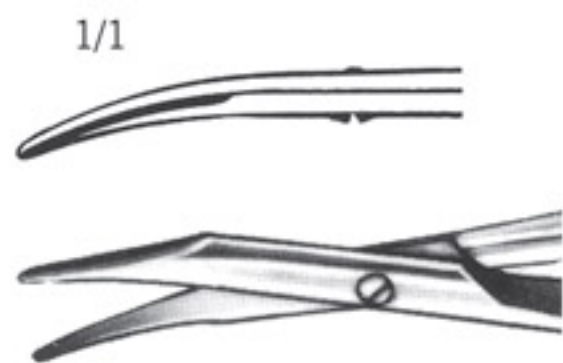
Barraquer
 45.0649.05 5mm
 45.0653.07 7mm
 45.0657.10 10mm
 5.5 cm



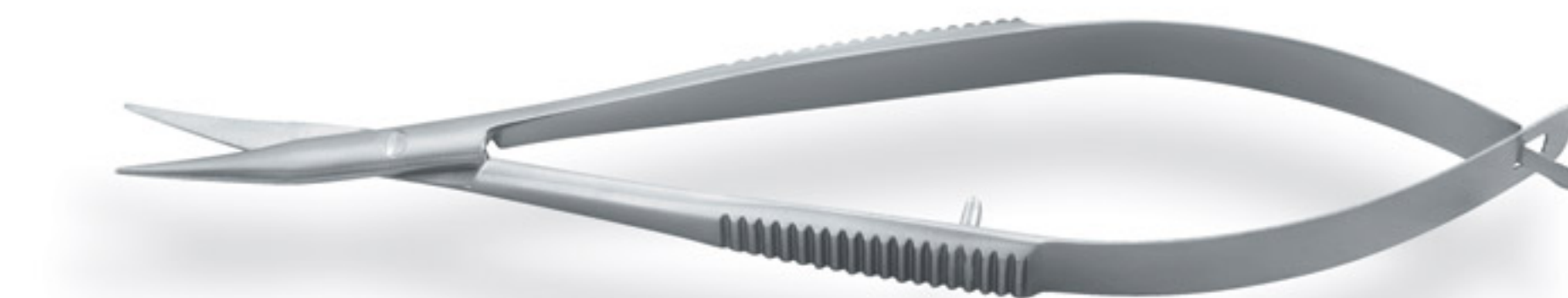
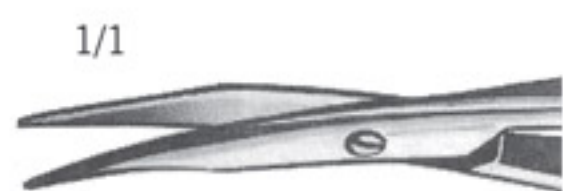
Wecker
 45.0637.11 - 45.0645.11
 11 cm



Westcott
 45.0457.12
 12 cm , Cvd

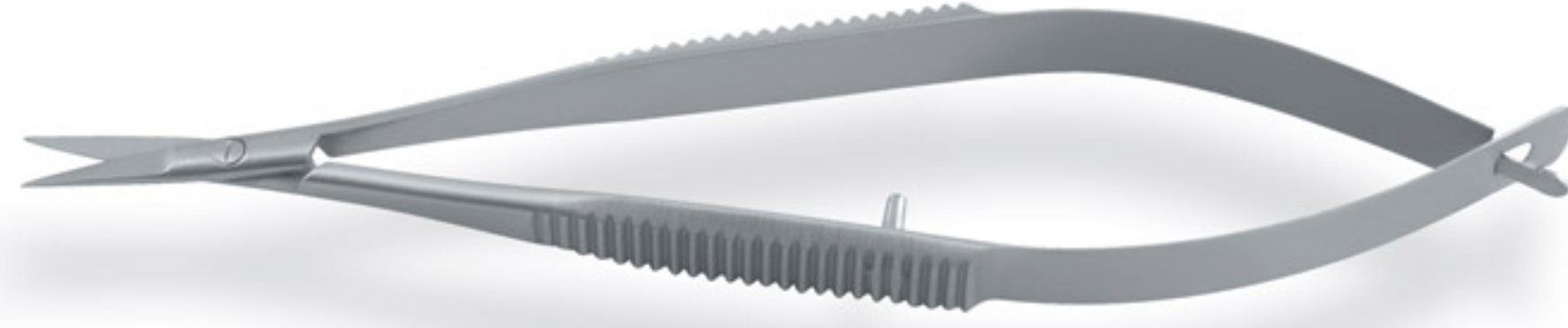


Westcott
 45.1894.11
 11 cm



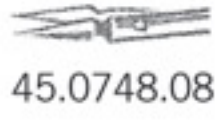
Westcott
 45.1906.11
 11 cm

Micro Scissors
 Micro Scissors
 Micro Ciseaux

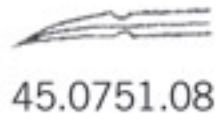


Westcott
 45.0462.11
 11 cm

1/1



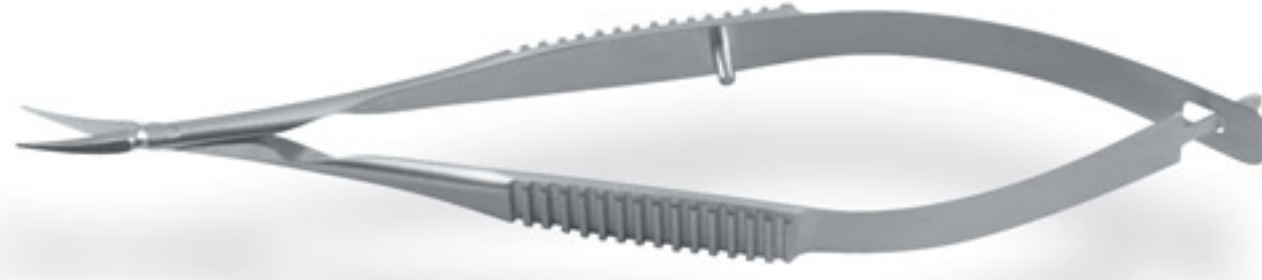
45.0748.08



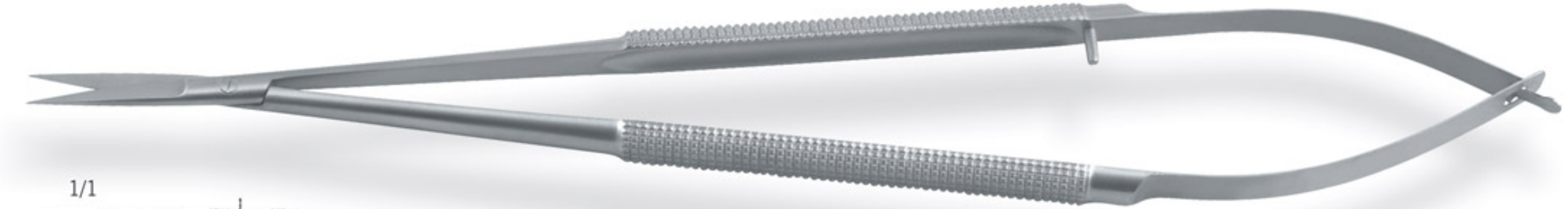
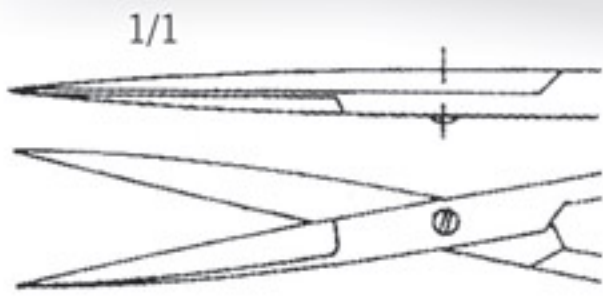
45.0751.08



45.0769.08



Vannas
 45.0748.08 - 45.769.08
 8.0 cm

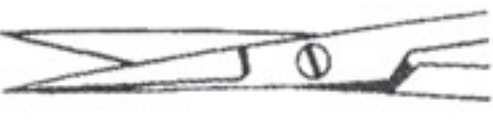


45.0708.18
 18 cm

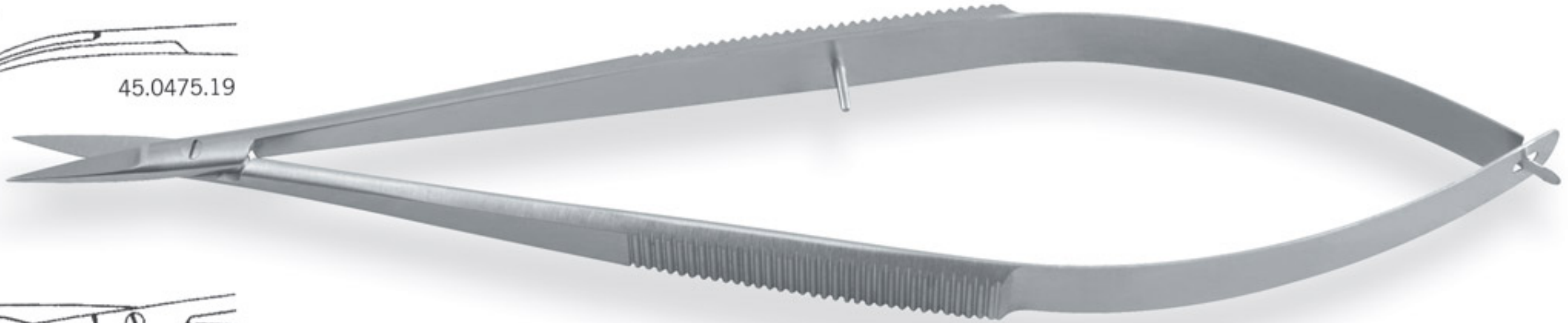
1/1



45.0475.19

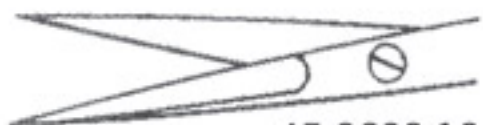


45.0472.19



45.0472.19 - 45.0475.19
 19 cm

1/1



45.0602.12

Fig. 1



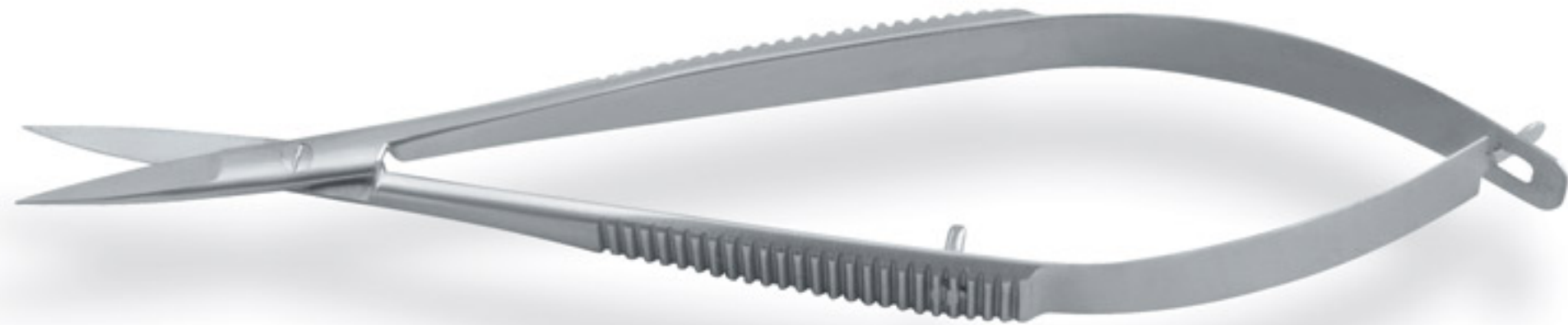
45.0606.12

Fig. 2



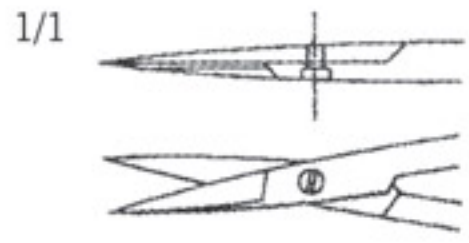
45.0610.12

Fig. 3

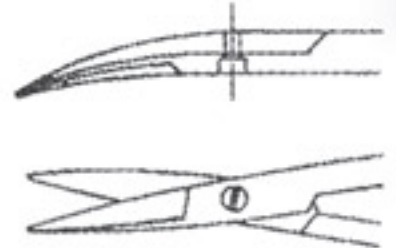


Noyes
 45.0602.12 - 45.610.12
 12 cm

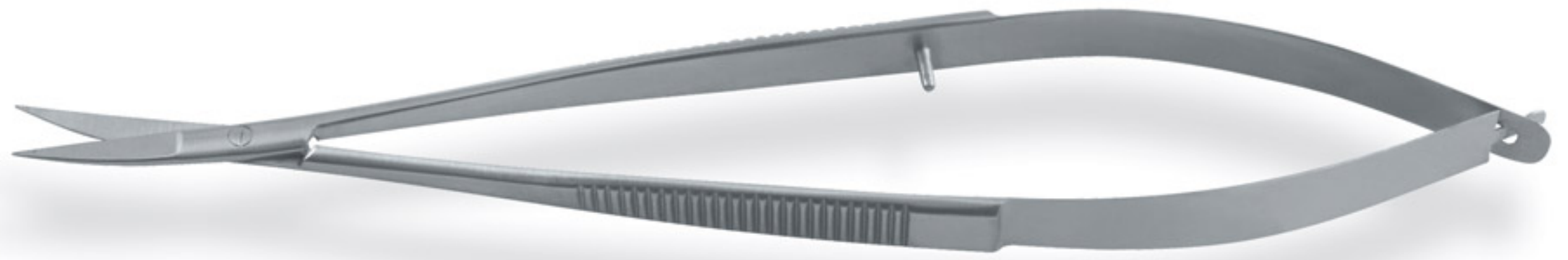
Micro Scissors
 Micro Scissors
 Micro Ciseaux



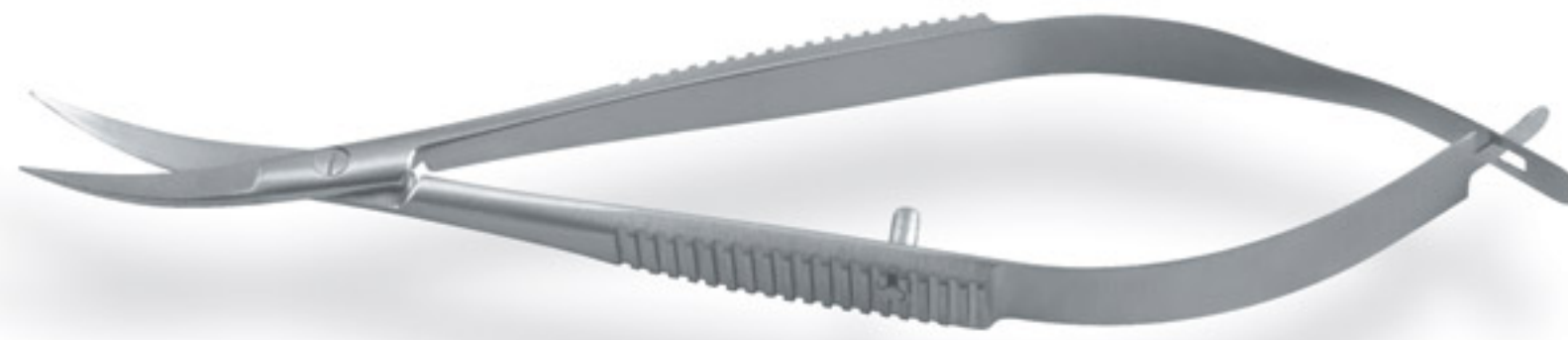
45.0686.15



45.0687.15



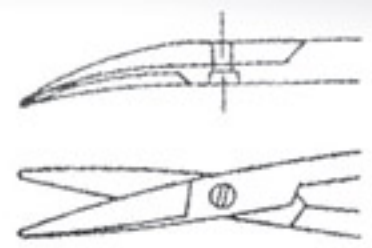
45.0686.15 - 45.0687.15
 15 cm



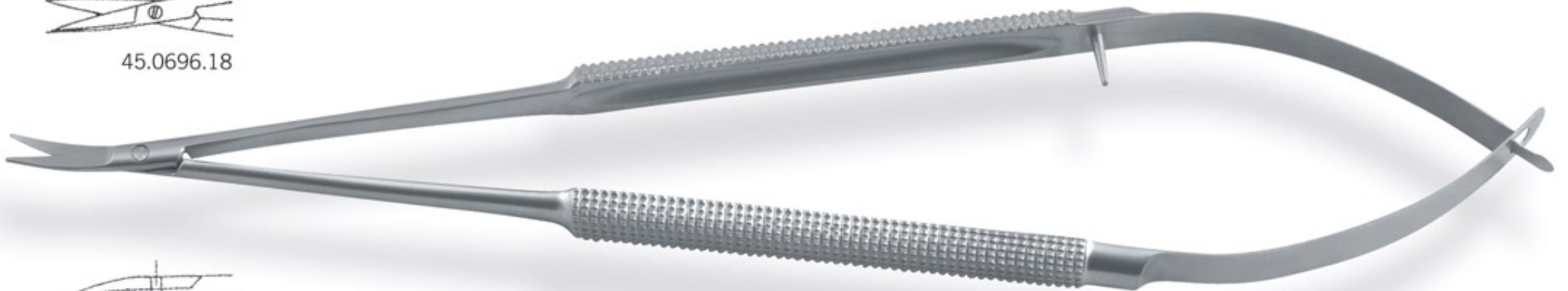
Catroviejo
 45.0793.10
 10 cm



45.0696.18



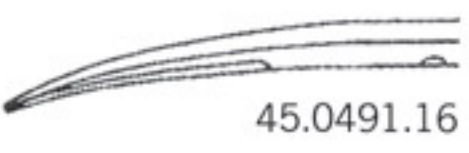
45.0699.18



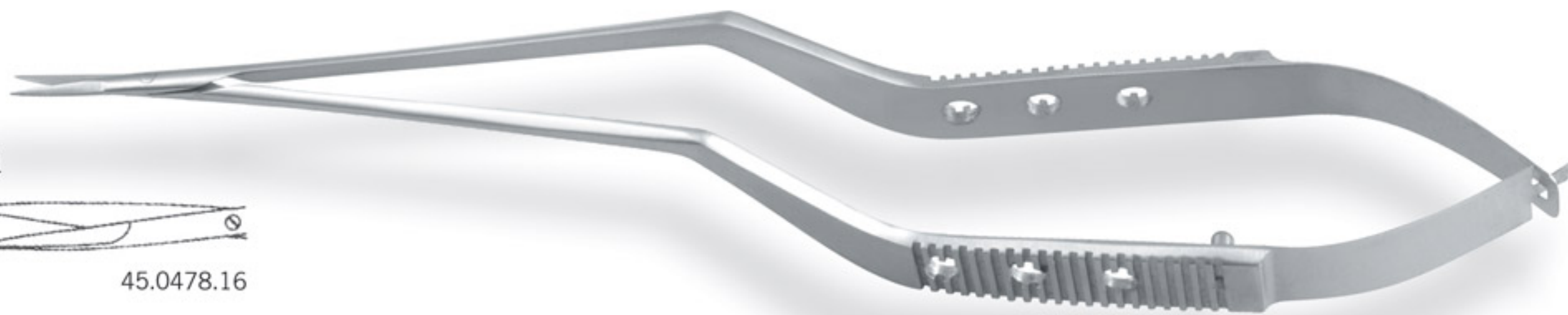
45.0696.18 - 45.0699.18
 18 cm



45.0478.16



45.0491.16

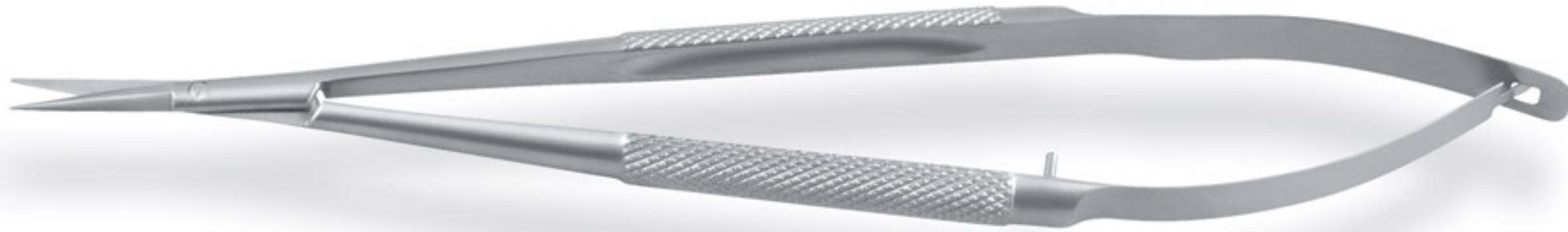


45.0478.16 - 45.0491.16
 16 cm

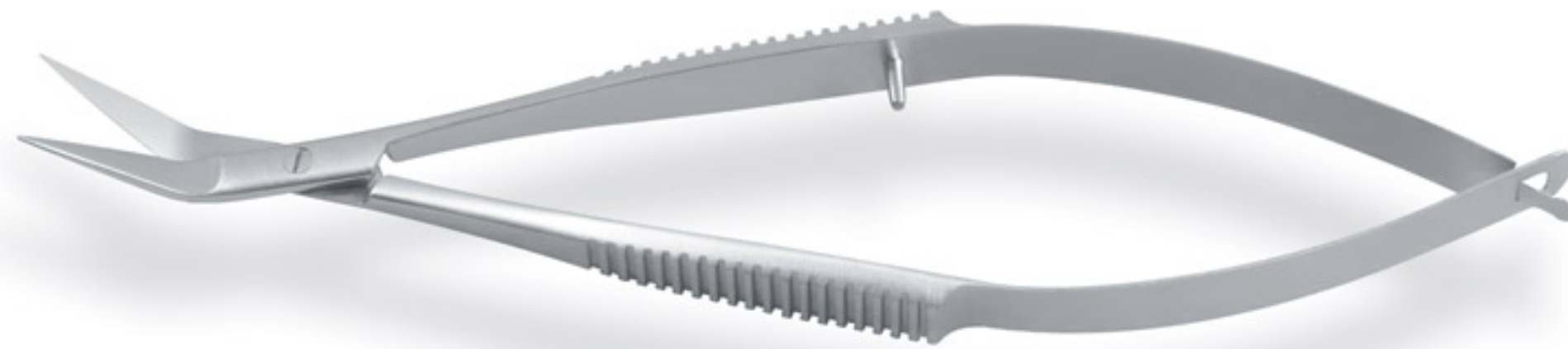
Micro Scissors
Micro Scissors
Micro Ciseaux



45.1902.10
10 cm



Micro Scissor - Round Handle
45.1898.15
15 cm



Noyes
45.0625.12
12 cm

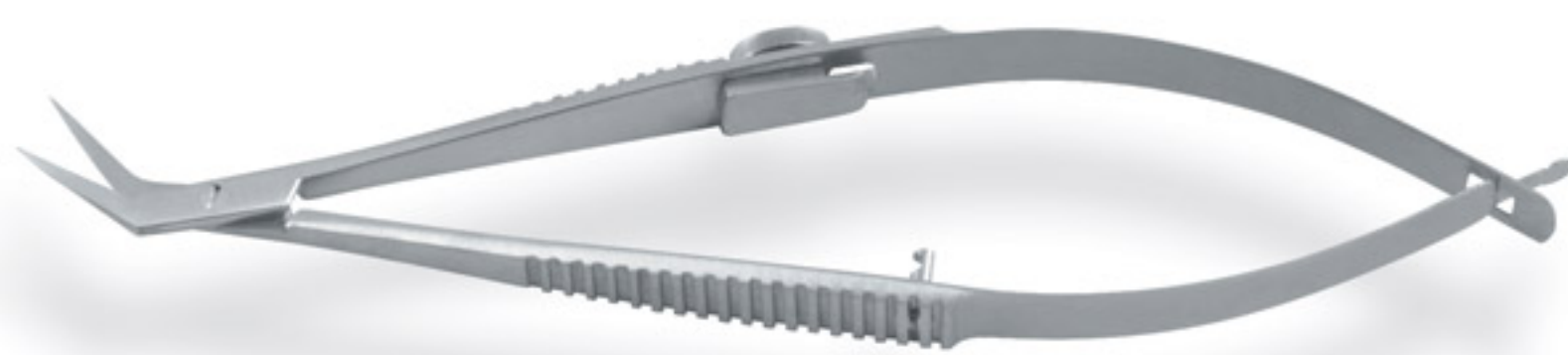
1/1



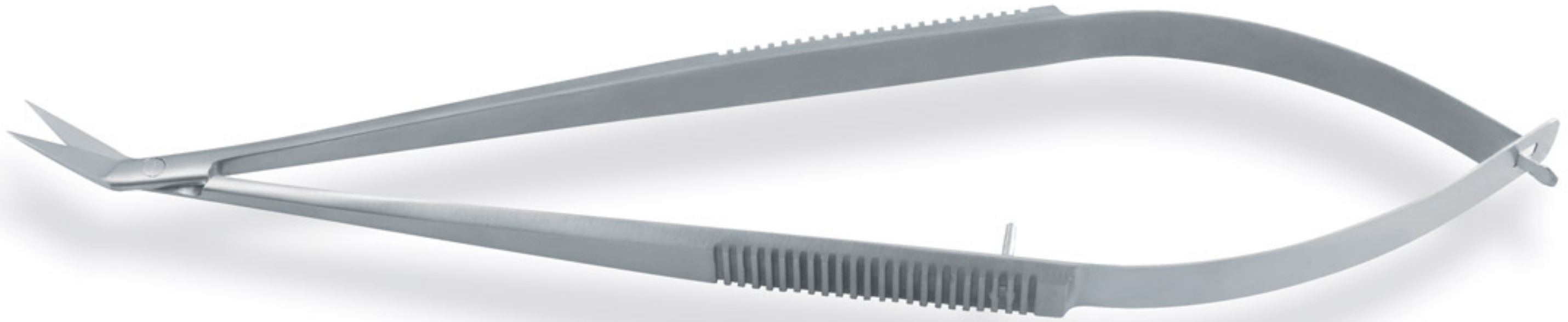
45.0677.10



45.0681.10

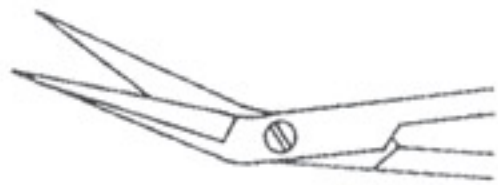


Katzin-Barraquer
45.0677.10 - 45.0681.10
10 cm

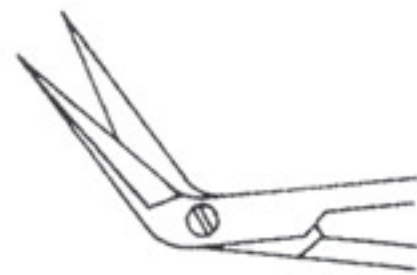


45.0545.18 - 45.0567.18
18 cm

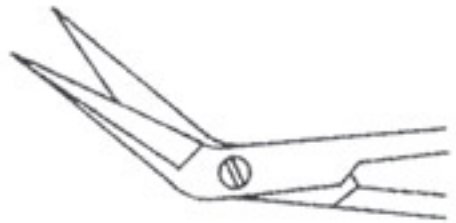
1/1



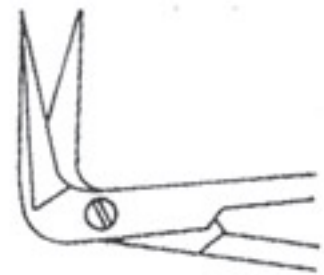
45.0545.18
25°



45.0561.18
60°



45.0553.18
45°



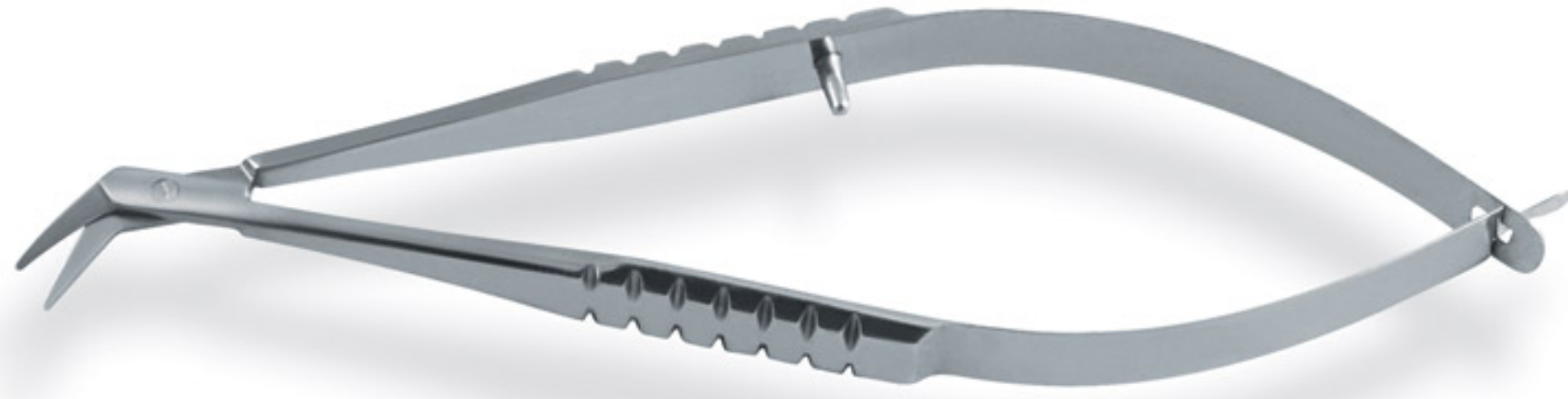
45.0567.18
90°

1/1



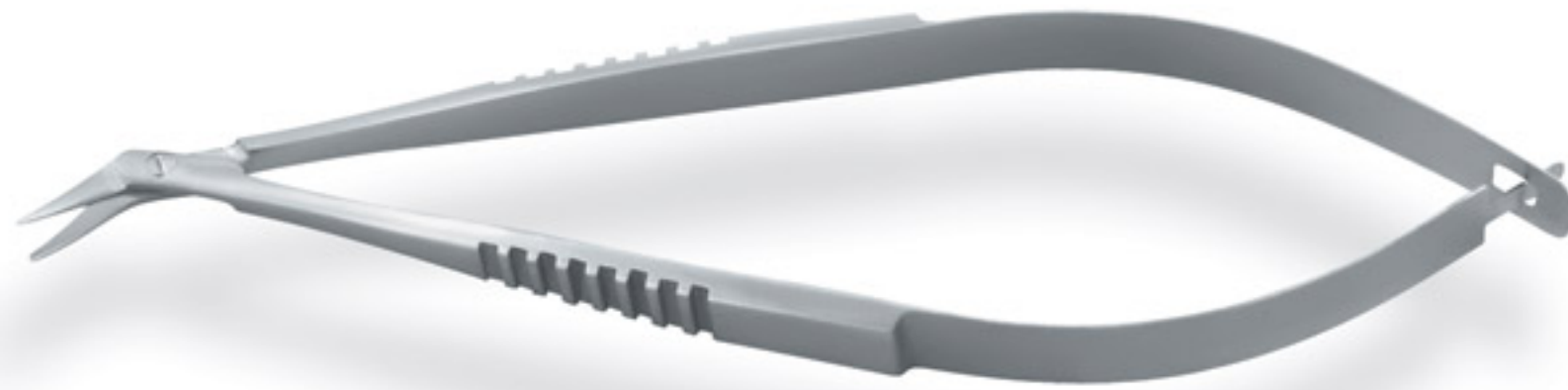
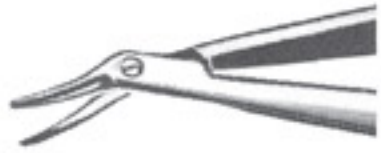
Castroviejo
45.0809.11
11 cm

Micro Scissors
Micro Scissors
Micro Ciseaux



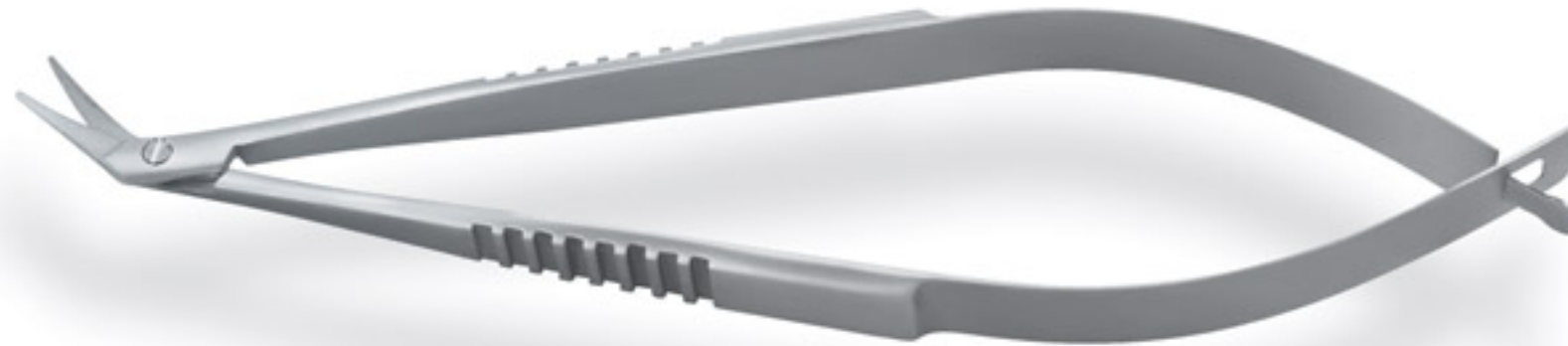
Castroviejo
45.1910.00

1/1



Troutman
45.1914.10
10 cm

1/1



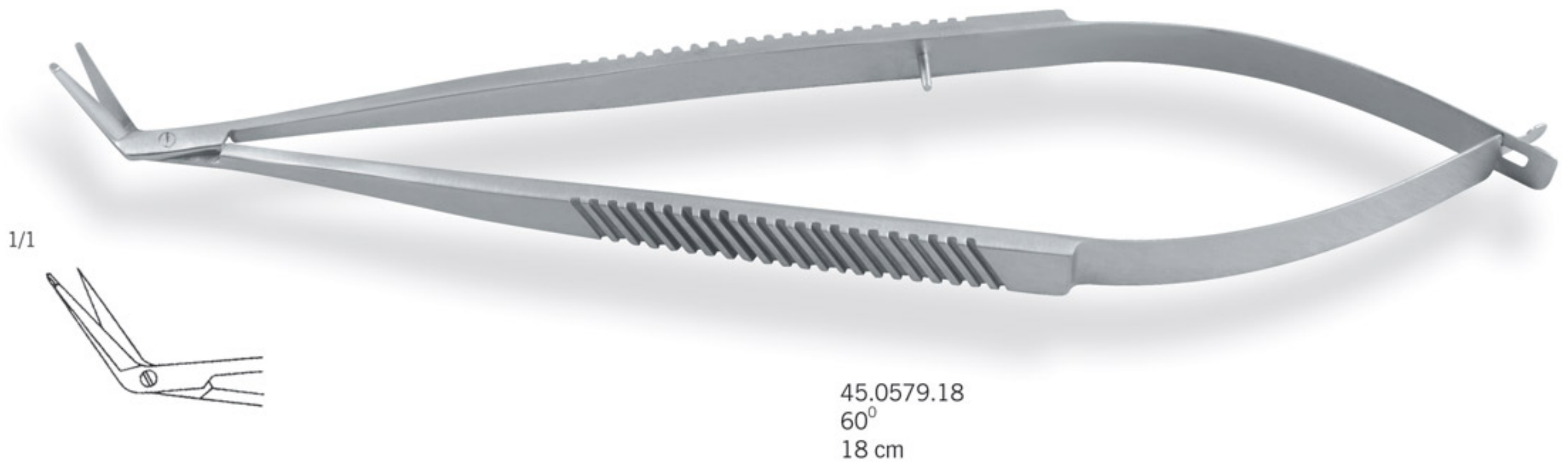
Troutman
45.1922.10
10 cm



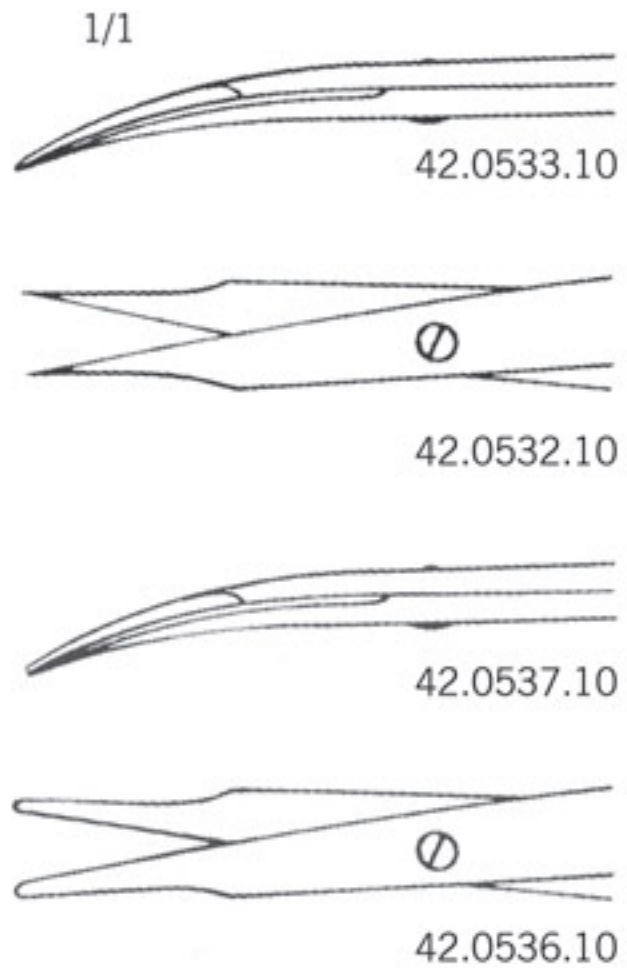
1/1



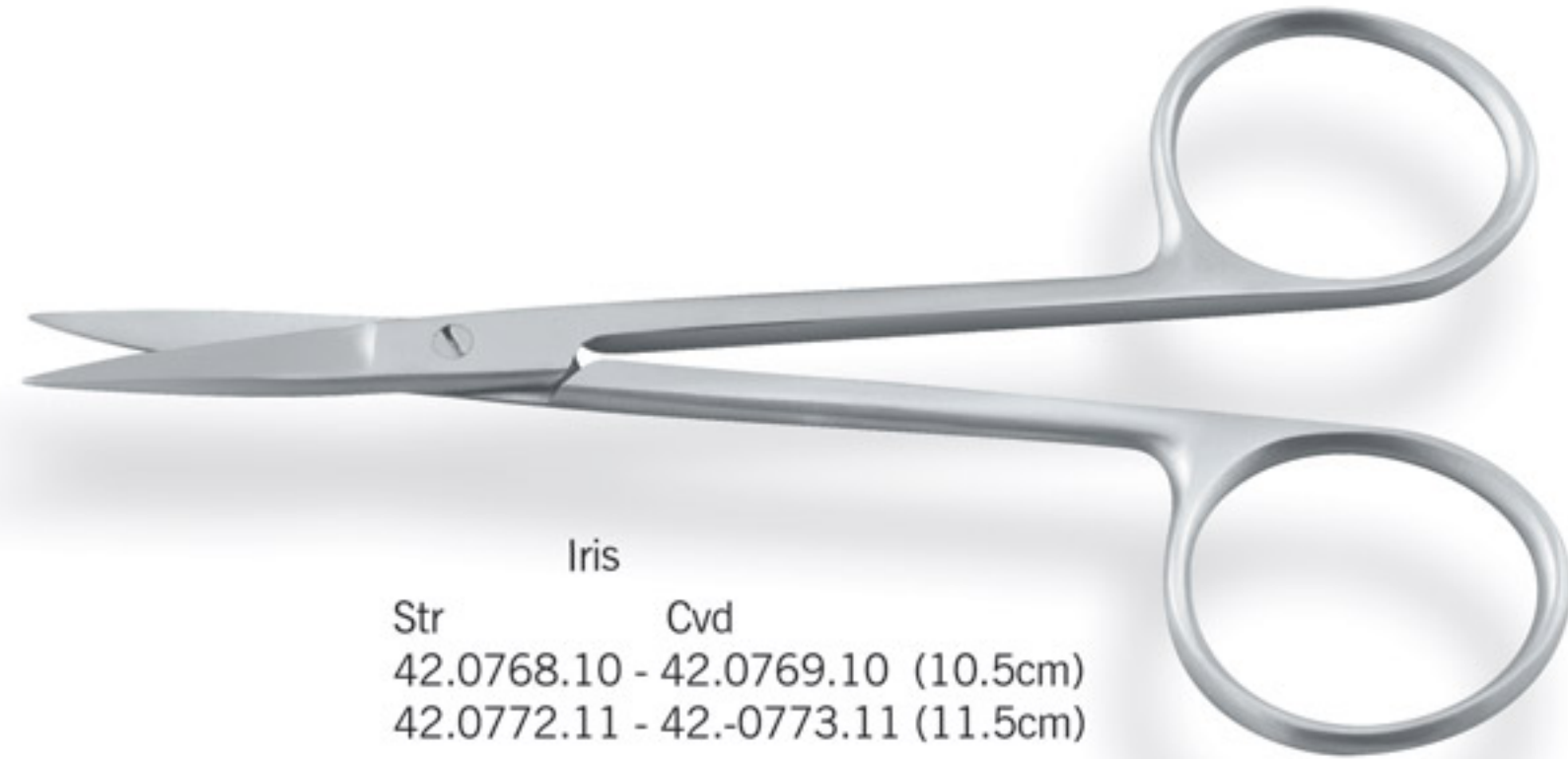
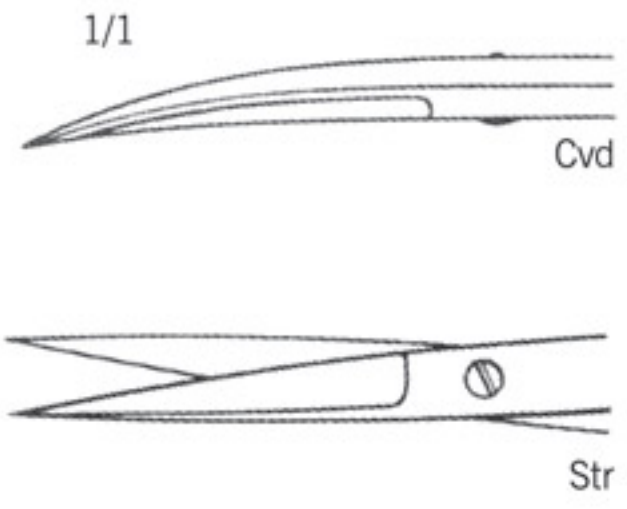
45.1918.15
15 cm



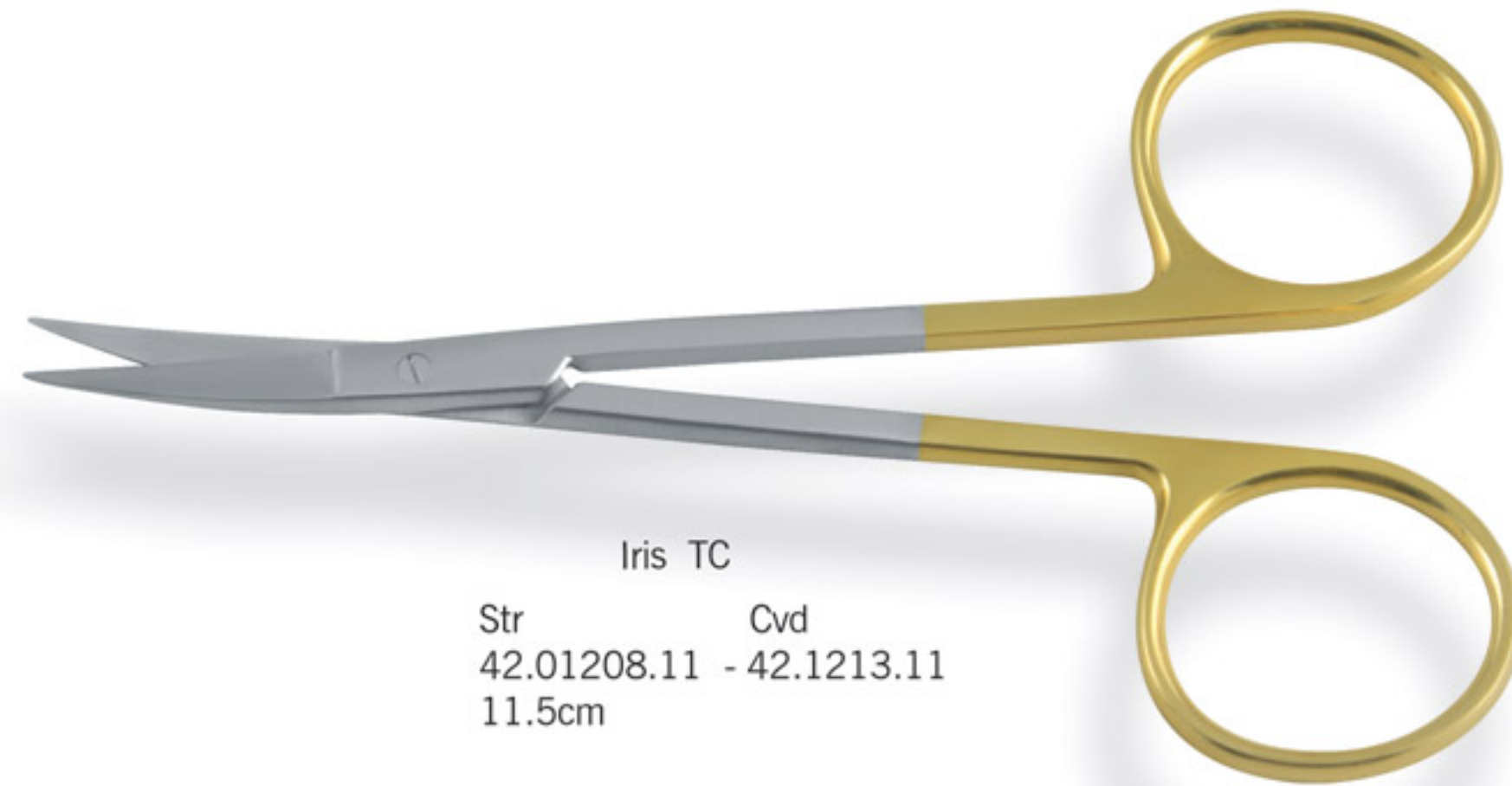
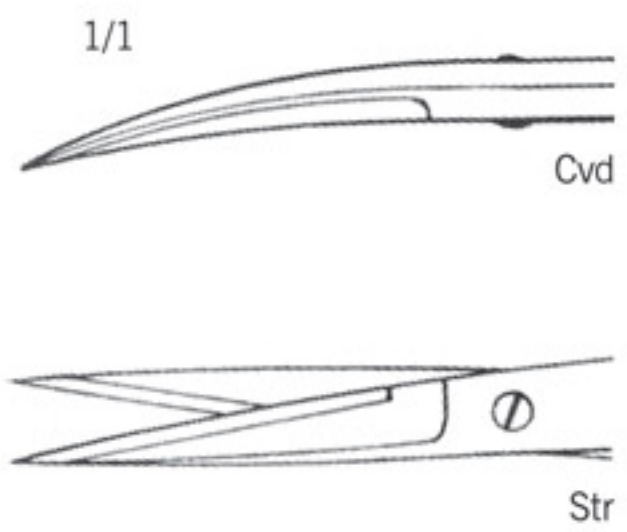
Eye Scissors
 Eye Scissors
 Ciseaux Oculaires



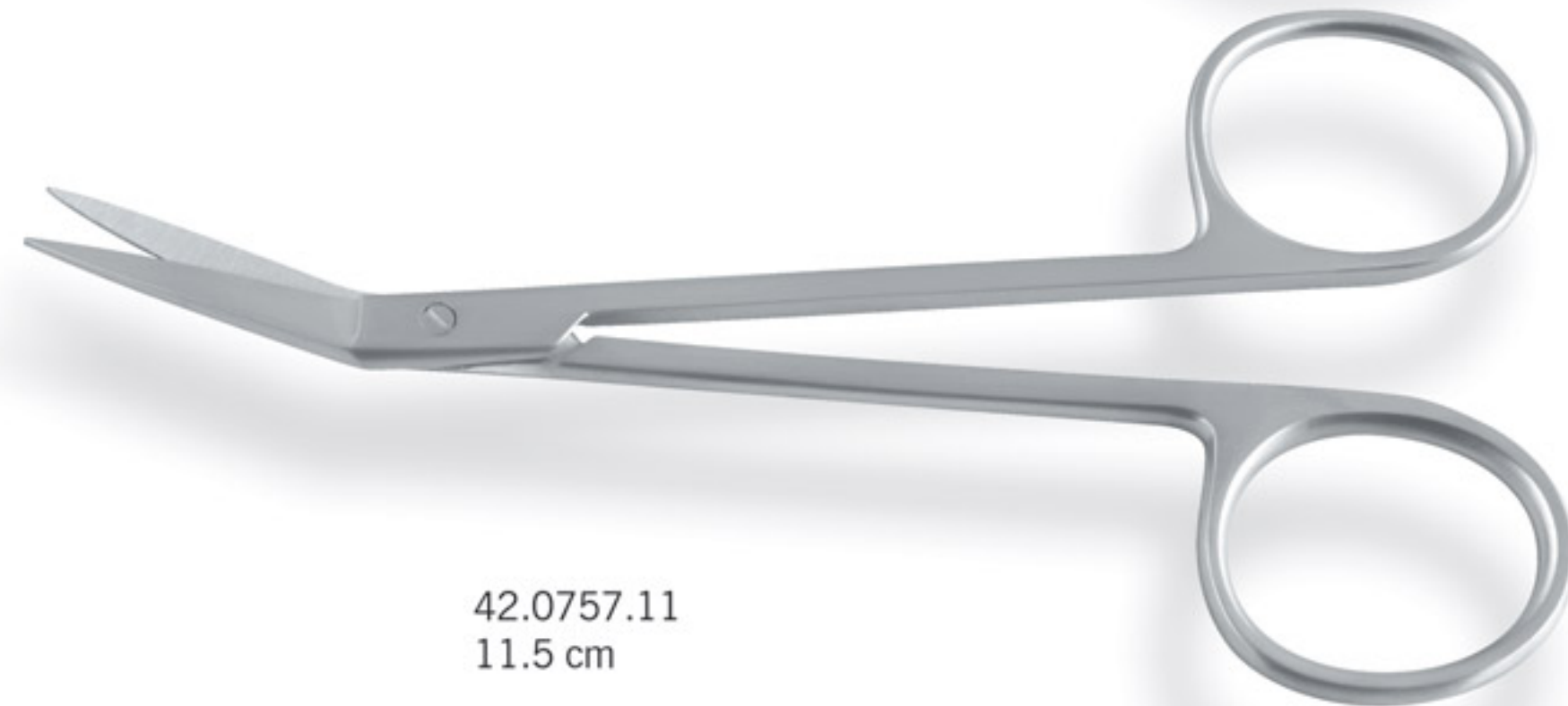
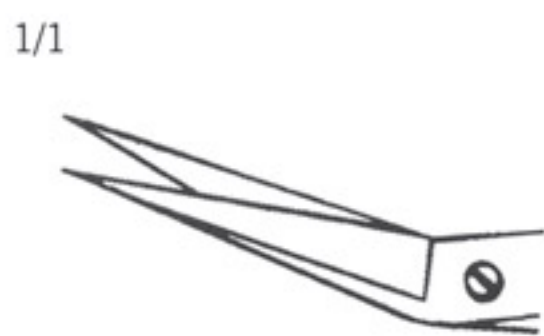
Stevens
 Str Cvd
 42.0532.10 - 42.0533.10
 42.0536.10 - 42.0537.10
 10.5 cm



Iris
 Str Cvd
 42.0768.10 - 42.0769.10 (10.5cm)
 42.0772.11 - 42.0773.11 (11.5cm)

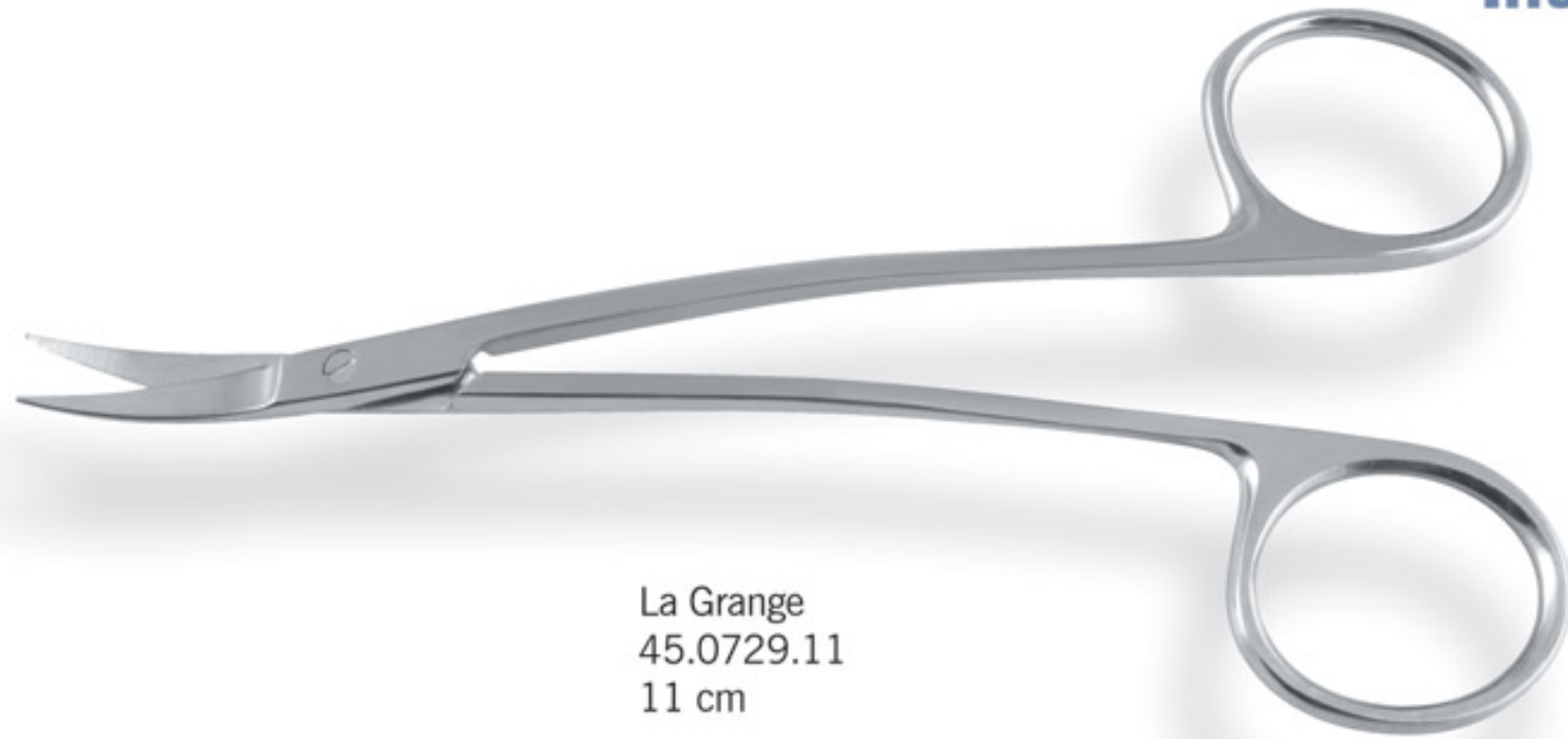
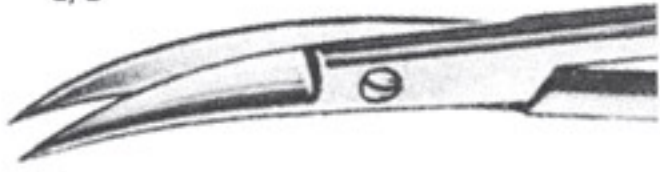


Iris TC
 Str Cvd
 42.01208.11 - 42.1213.11
 11.5cm

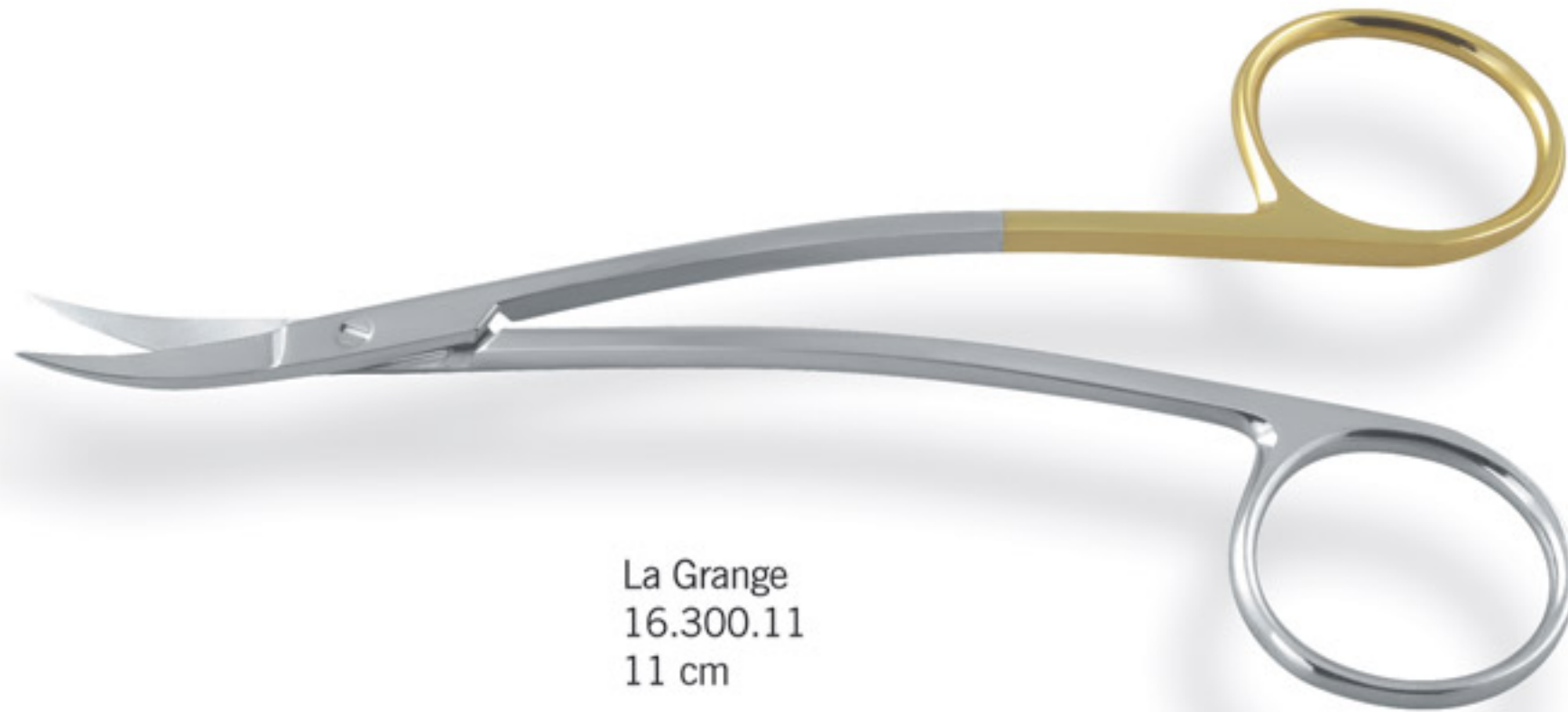


42.0757.11
 11.5 cm

1/1

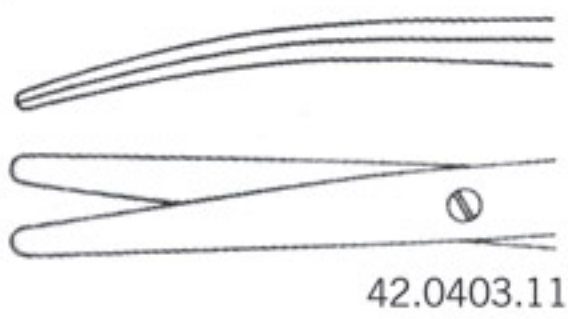


La Grange
45.0729.11
11 cm

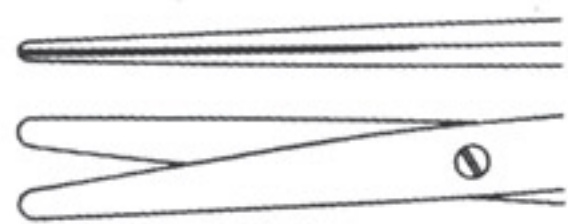


La Grange
16.300.11
11 cm

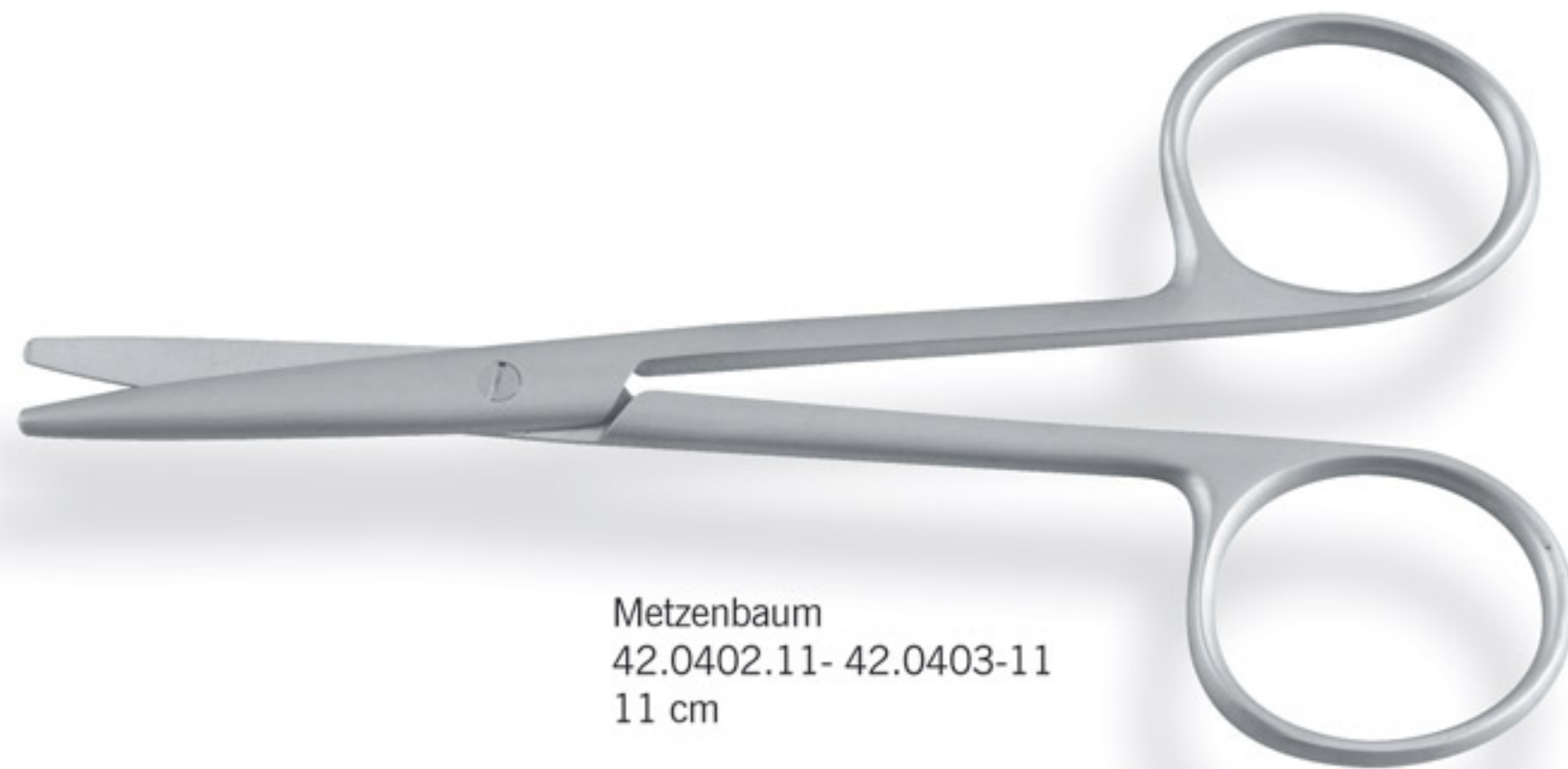
1/1



42.0403.11

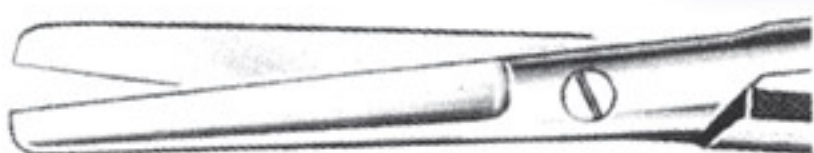


42.0402.11



Metzenbaum
42.0402.11- 42.0403-11
11 cm

1/1

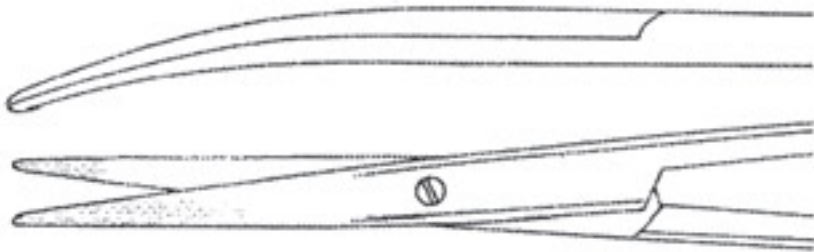


Wagner
42.0800.12
12 cm

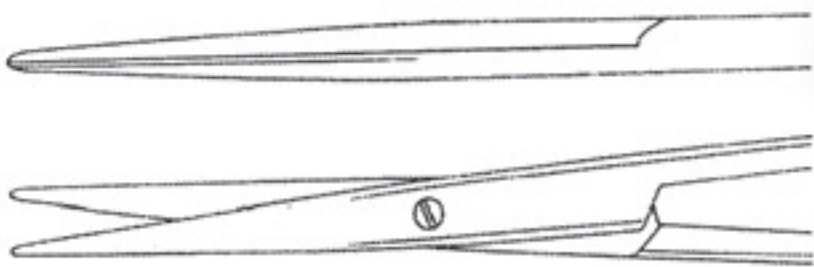
Eye Scissors
Eye Scissors
Ciseaux Oculaires



1/1



16.179.11



16.178.11

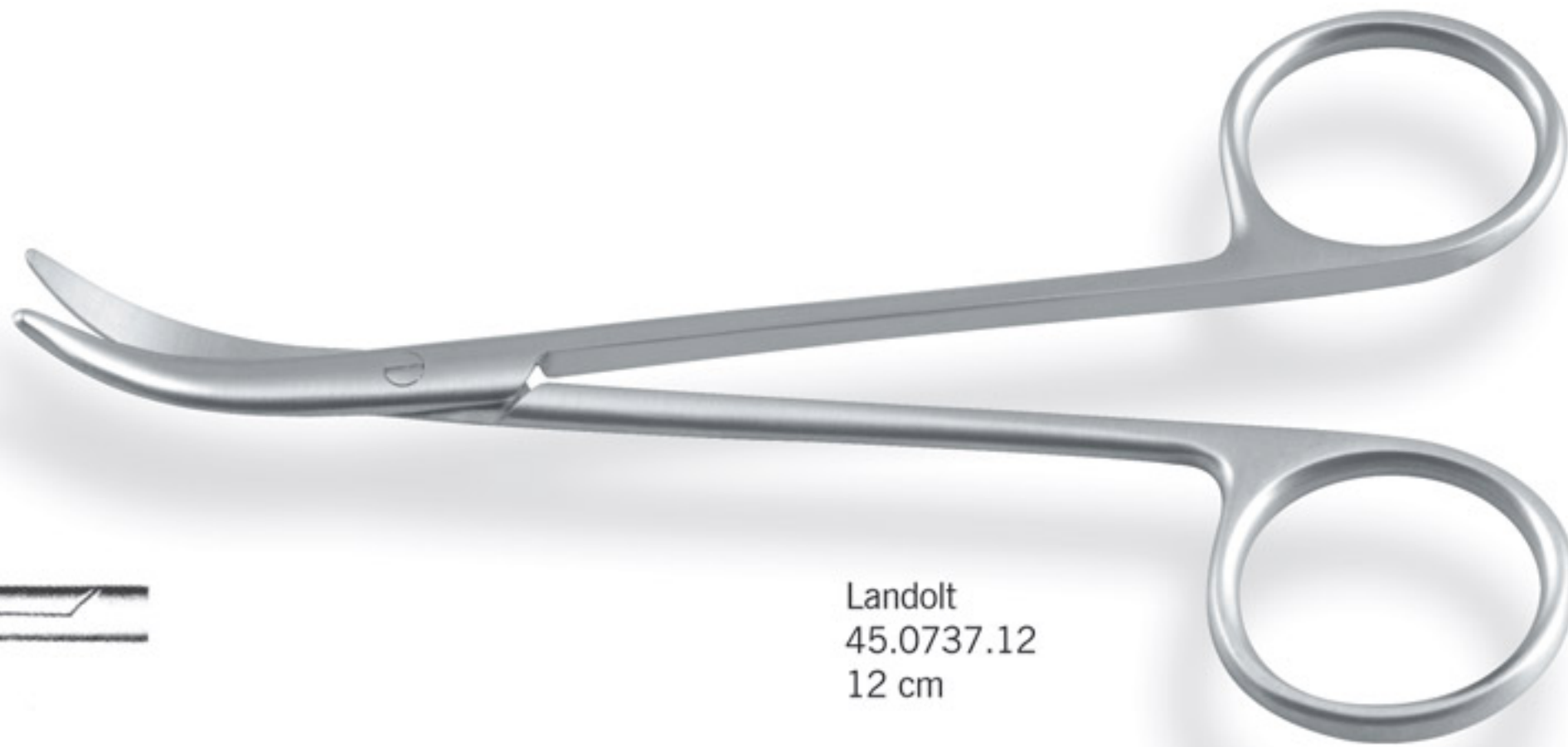


Strabismus
16.178.11 - 16.179.11
11 cm

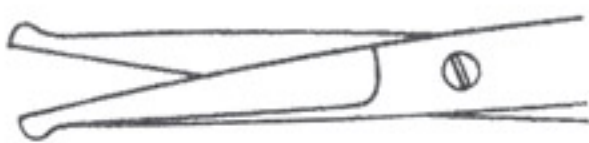
1/1



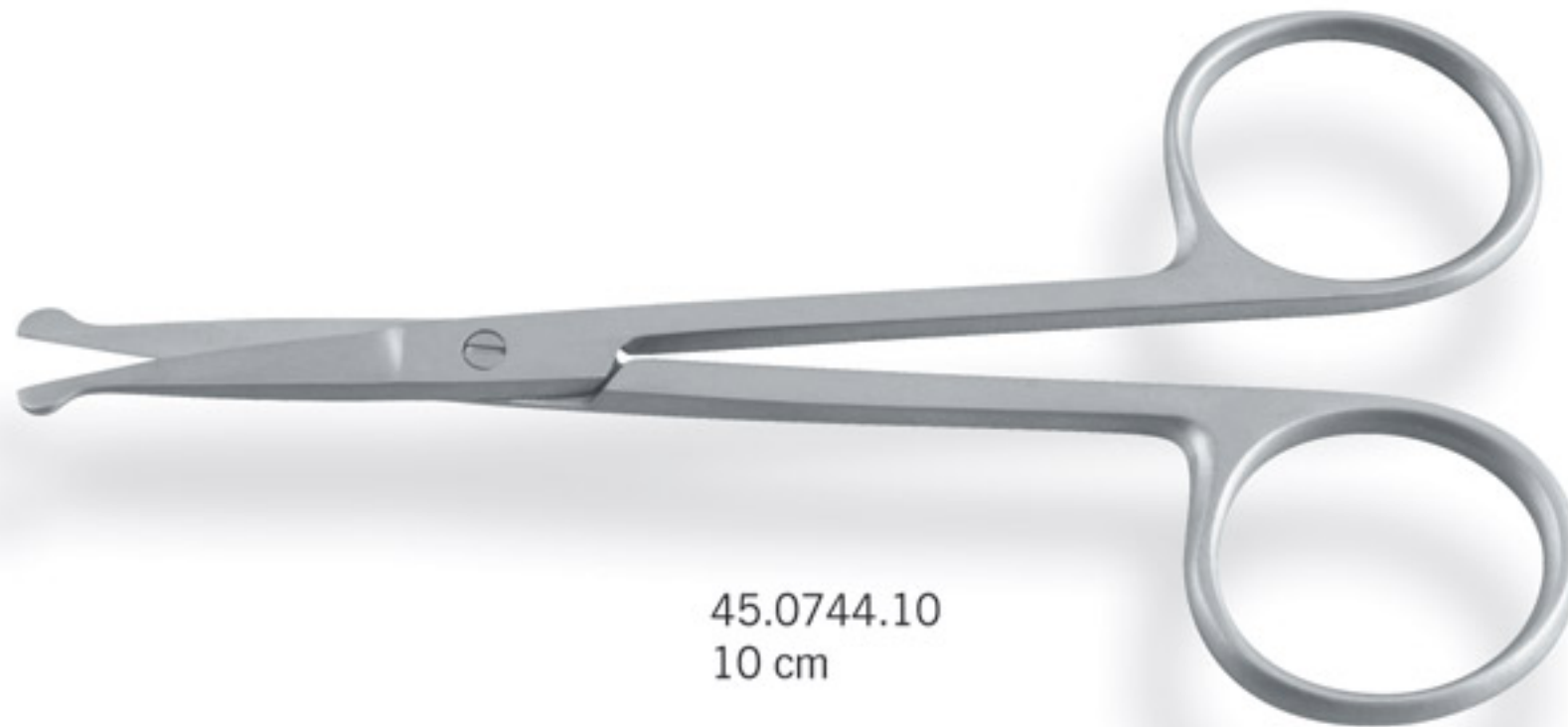
Landolt
45.0737.12
12 cm



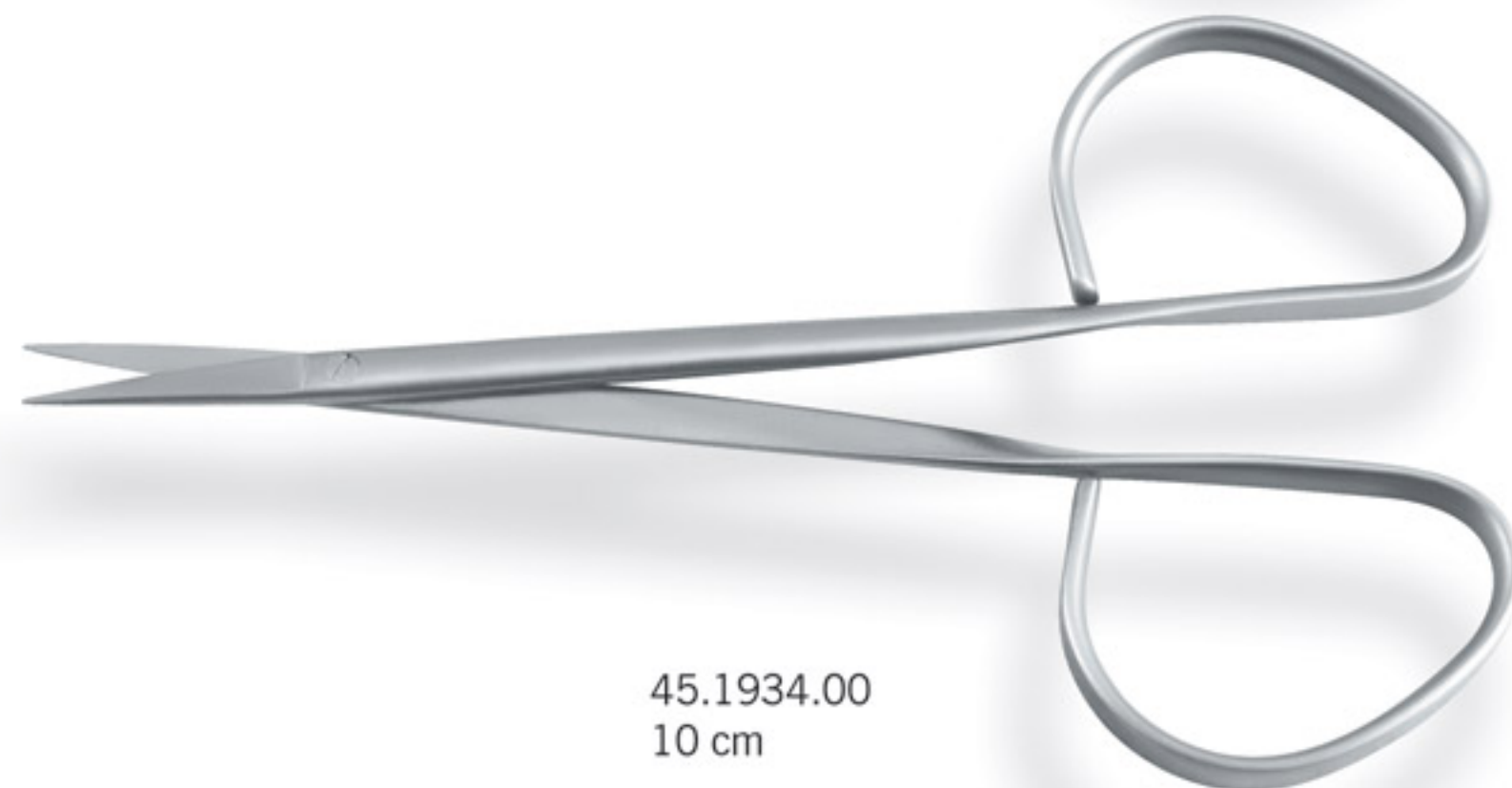
1/1



45.0744.10
10 cm



45.1934.00
10 cm



Micro Needle Holders
 Mikro Nadelhalter
 Micro Porte-aiguilles

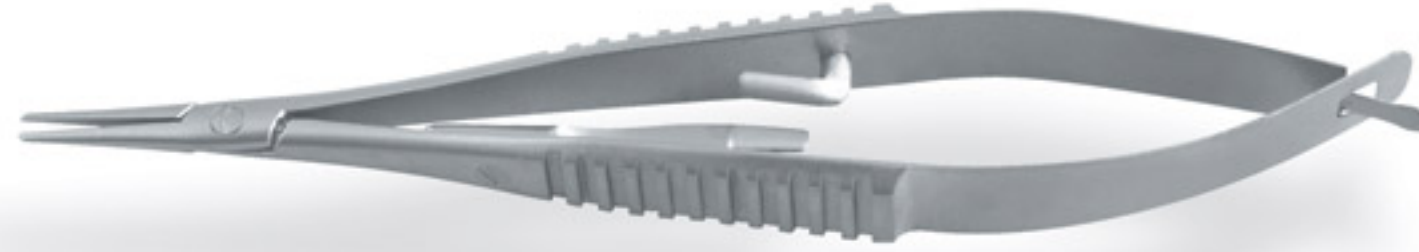
1/1



46.0811.09
 46.1811.09



46.0808.09
 46.1808.09

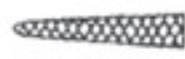


Castroviejo
 46.0808.09 - 46.0811.09
 46.1808.09 - 46.1811.09 **Titanium**
 9 cm

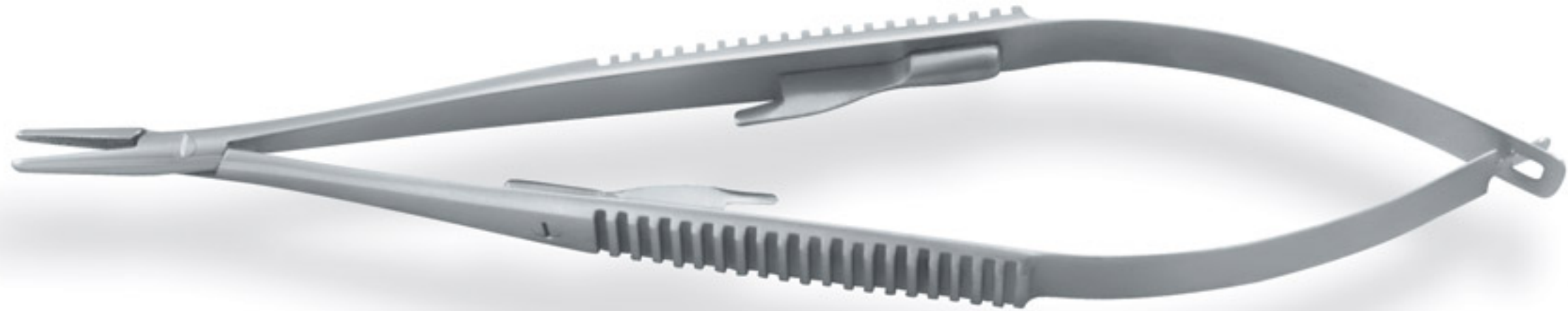
1/1



19.0141.14
 19.1451.14



19.0140.14
 19.1450.14



Castroviejo
 19.0140.14 - 19.0141.14
 19.1450.14 - 19.1451.14 **Titanium**
 14 cm

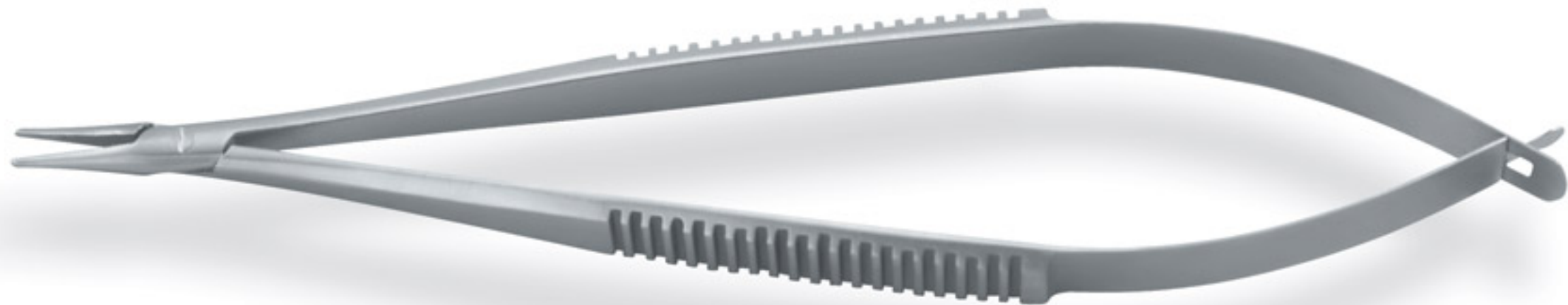
1/1



46.0831.14
 46.1831.14



46.0828.14
 46.1828.14

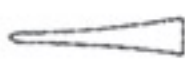


Castroviejo
 46.0828.14 - 46.0831.14
 46.1828.14 - 46.1831.14 **Titanium**
 14 cm

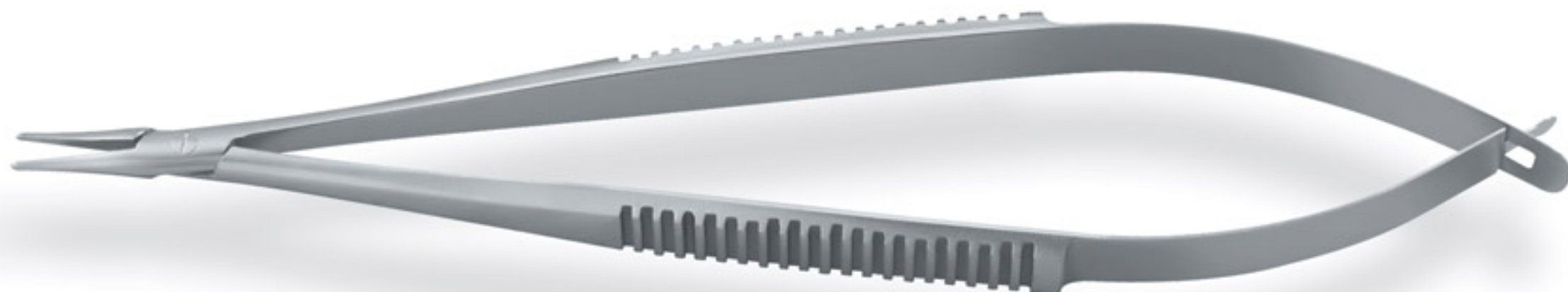
1/1



46.0825.14
 46.1825.14

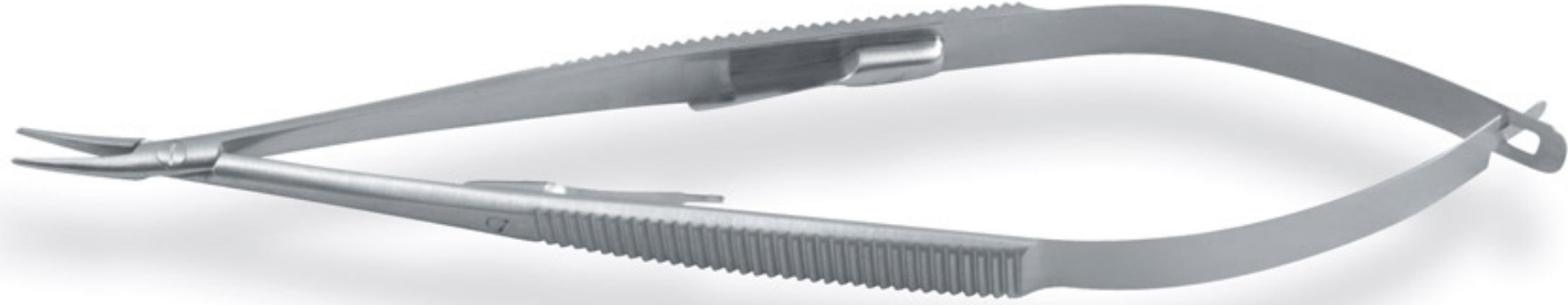


46.0822.14
 46.1822.14



Castroviejo
 46.0822.14 - 46.0825.14
 46.1822.14 - 46.1825.14 **Titanium**
 14 cm

Micro Needle Holders
 Mikro Nadelhalter
 Micro Porte-aiguilles



Castroviejo
 45.1712.14
 45.1713.14 Titanium
 14 cm

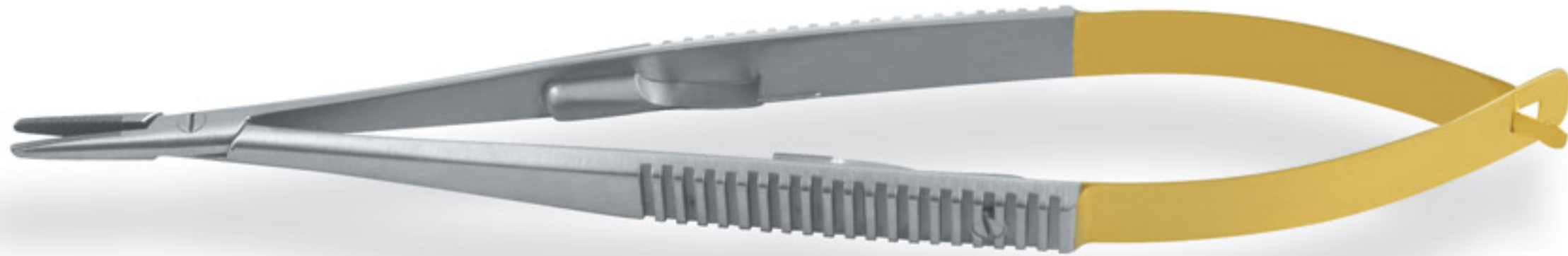
1/1



46.0669.14

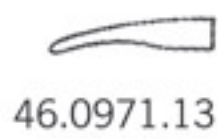


46.0664.14

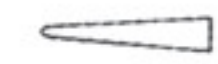


Castroviejo TC
 46.0664.14 - 46.0669.14
 14 cm

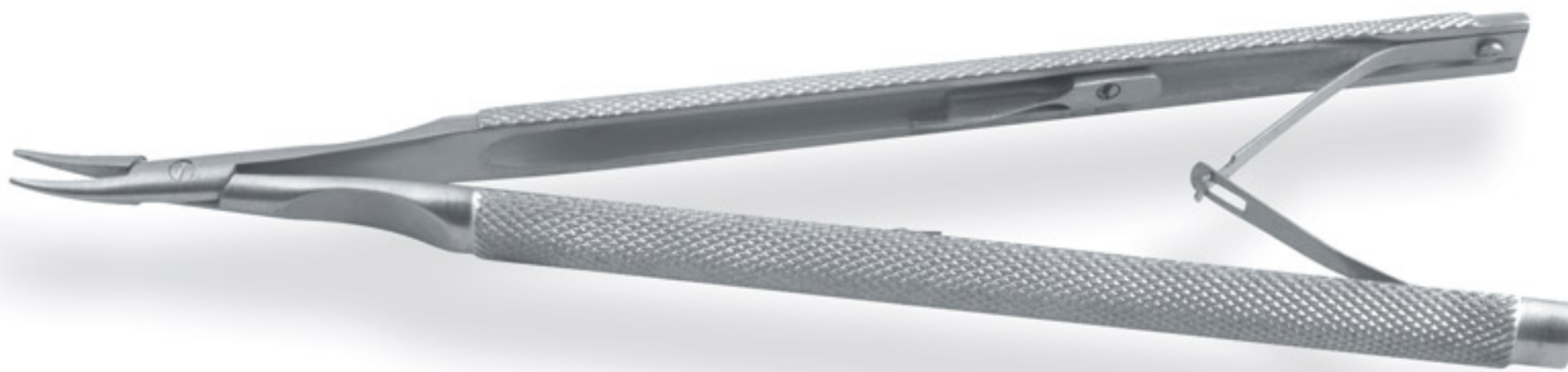
1/1



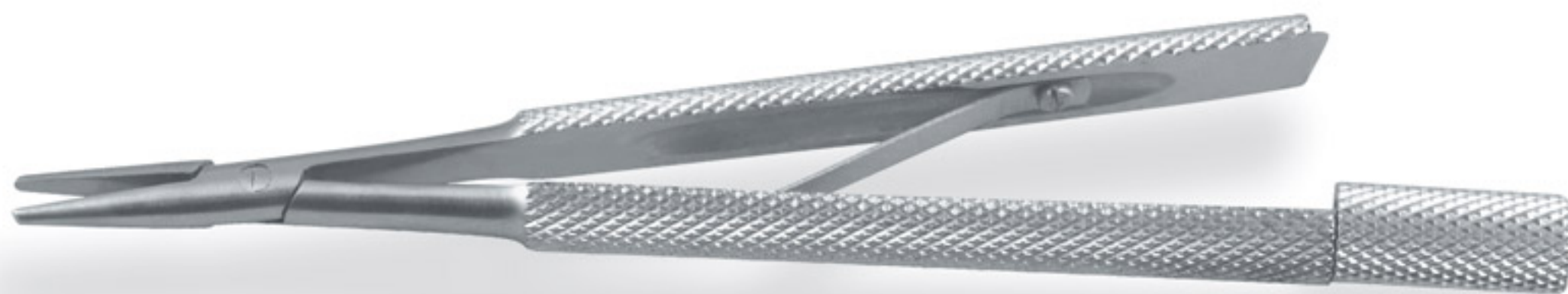
46.0971.13



46.0968.13



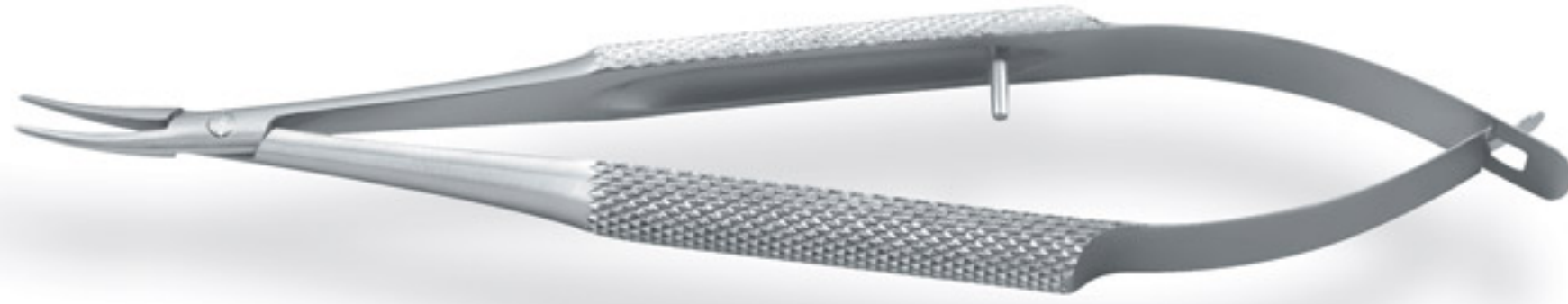
Castroviejo
 46.0968.13 - 46.0971.13
 13 cm



Castroviejo
 45.1724.08 9 cm
 45.1728.13 13 cm

Micro Needle Holders
Mikro Nadelhalter
Micro Porte-aiguilles

1/1

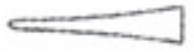


Barraquer
46.0871.11
46.1871.11 Titanium
11 cm

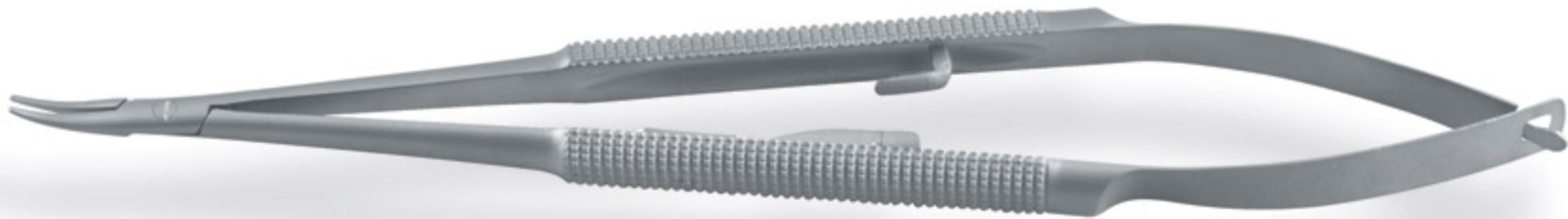
1/1



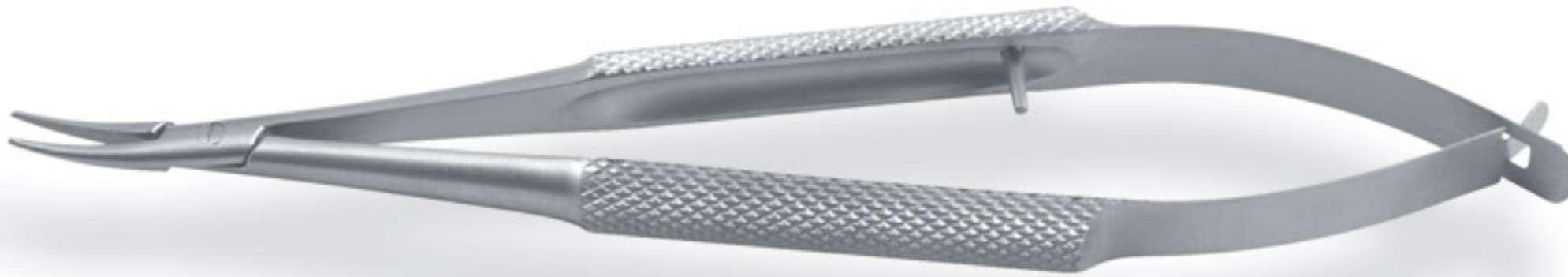
46.0887.14
46.1887.14



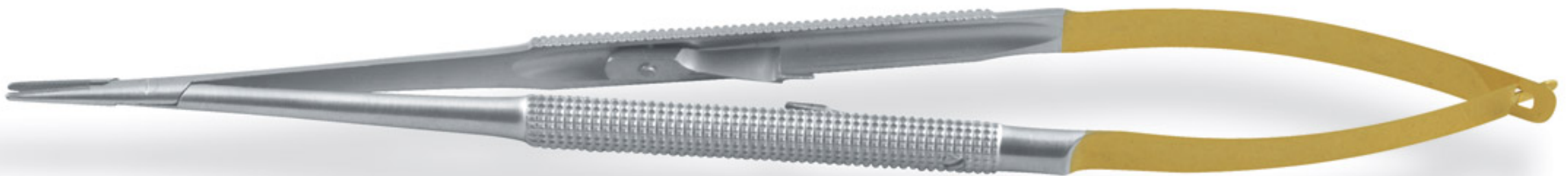
46.0884.14
46.1884.14



Barraquer
46.0884.14 - 46.0887.14
46.1884.14 - 46.1887.14 Titanium
14 cm



Barraquer
45.1708.12
45.1709.12 Titanium
14 cm




Barraquer TC
45.1716.18
18 cm



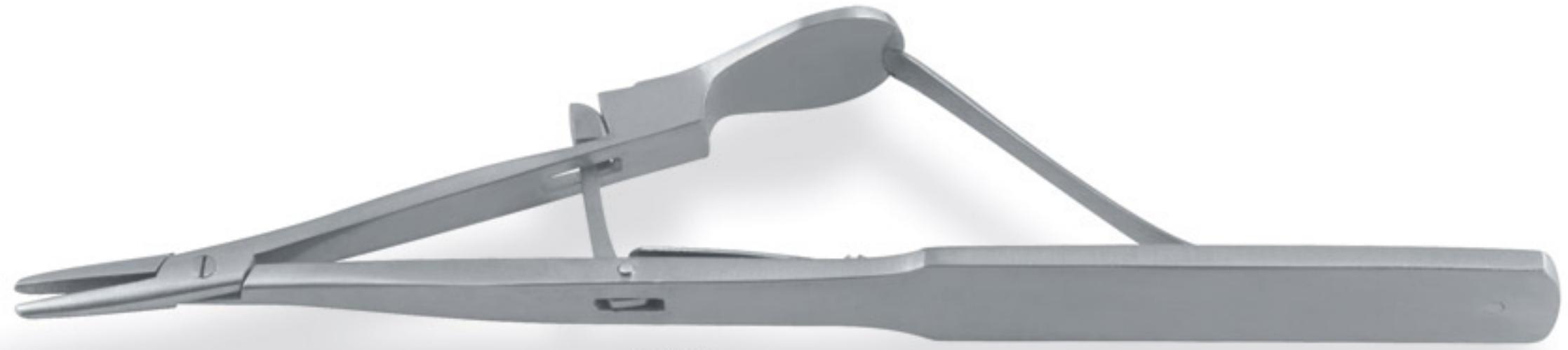
Barraquer
45.1720.11
11 cm

Micro Needle Holders
Mikro Nadelhalter
Micro Porte-aiguilles

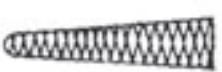


1/1

46.0791.14


46.0786.14




Arruga
46.0786.14 - 46.0791.14
14 cm


1/1

46.0796.14





Kalt
46.0796.14
14 cm

1/1

46.0685.12


46.0682.12



Boynton TC
46.0682.12 - 46.0685.12
12 cm

1/1

46.0468.16

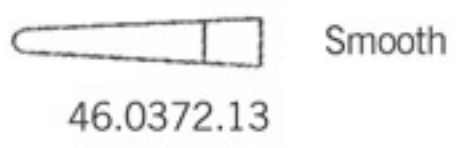
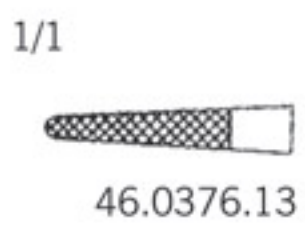

46.0464.16



Arruga T/c
46.0464.16 - 46.0468.16
16 cm



Halsey
46.0288.13
13 cm

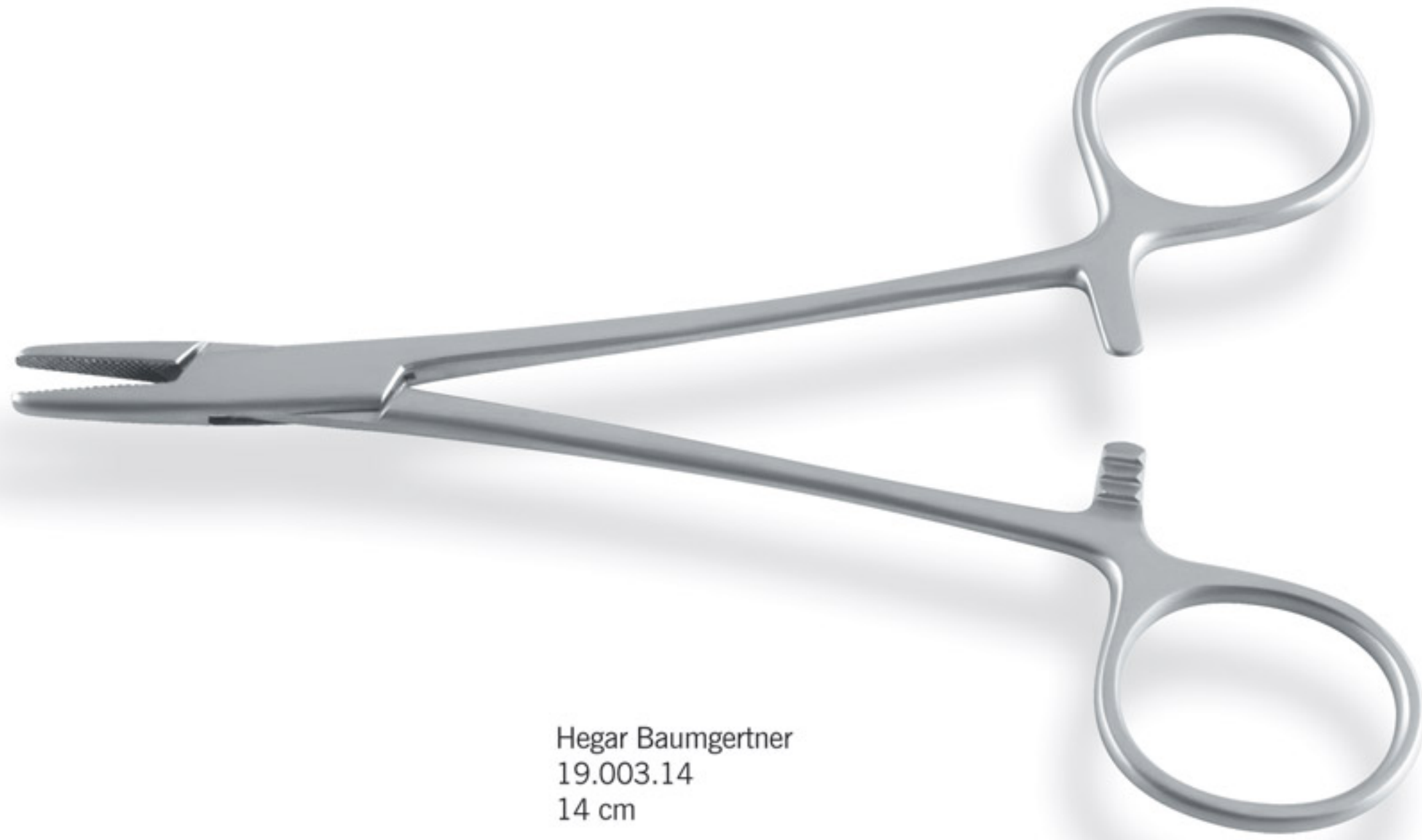


Halsey TC
46.0372.13 - 46.0376.13
13 cm

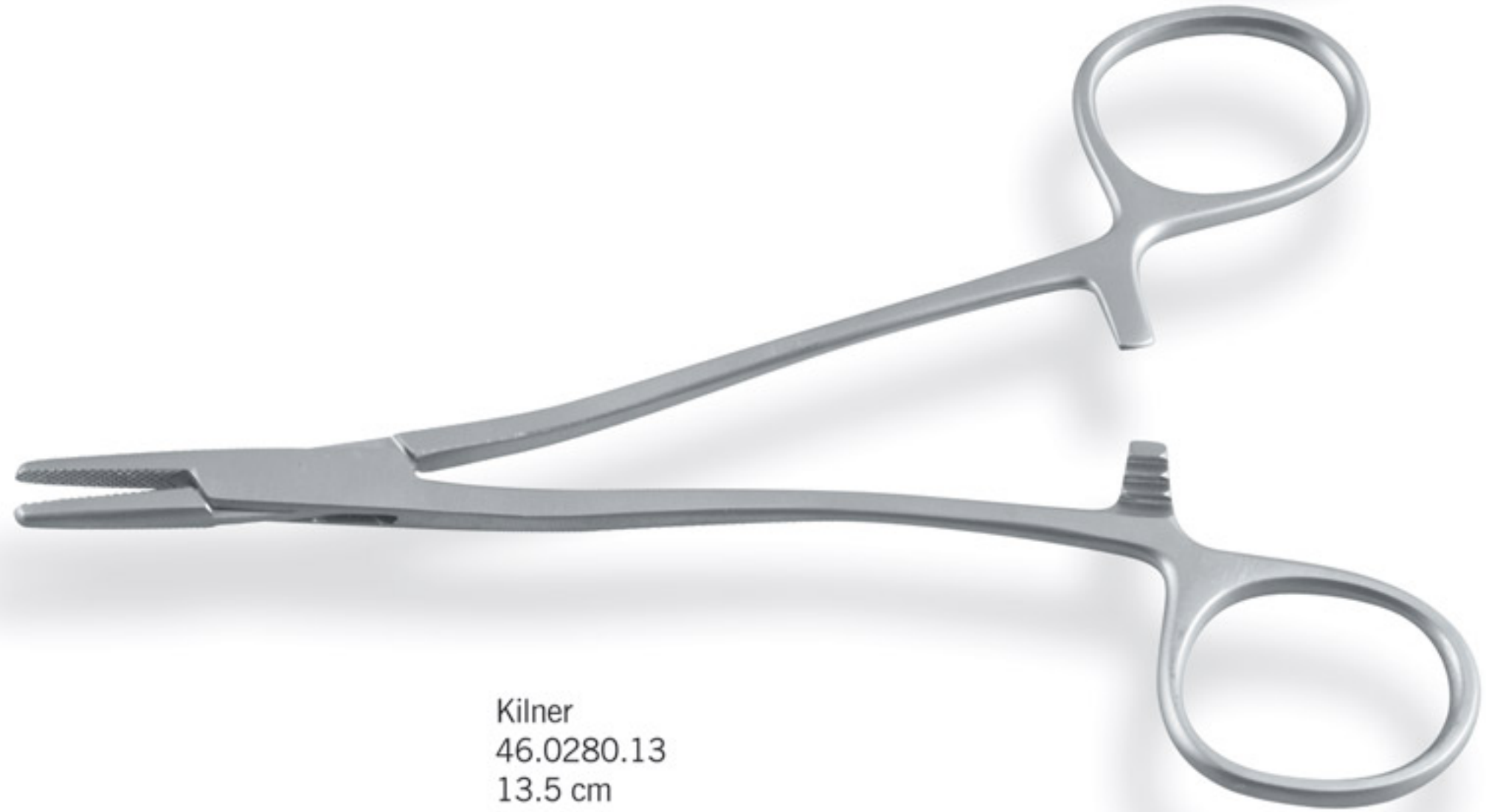


Derf-Converse
46.0260.12
12.5 cm

Needle Holders
Nadelhalter
Porte- Aiguilles



Hegar Baumgartner
19.003.14
14 cm



Kilner
46.0280.13
13.5 cm



Kilner TC
46.0364.13
13.5 cm

1/1



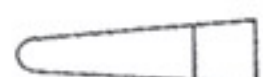
Derf
46.0248.12
12 cm

1/1



Derf TC
46.0368.12
12 cm

1/1



Smooth

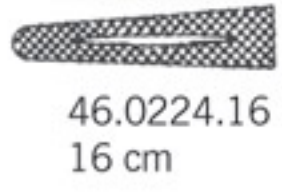


Webster TC
46.0380.13
13 cm

Needle Holders
Nadelhalter
Porte-aiguilles

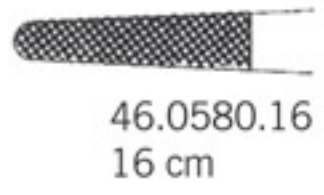


1/1



Mayo - Hegar
46.0224.16 - 46.0228.18

1/1



Mayo - Hegar TC
46.0580.16 - 46.0584.18

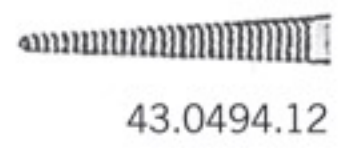
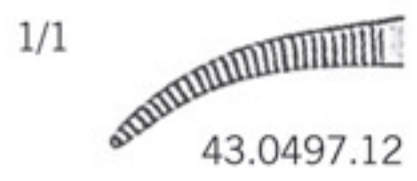
1/1



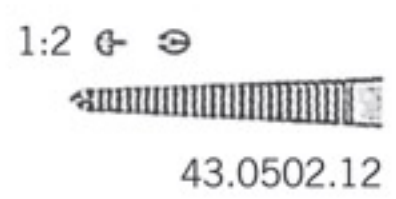
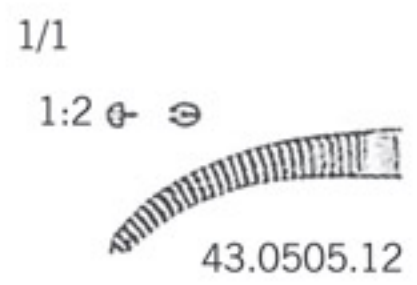
Crile - Wood TC
46.0602.15
15 cm



Baby-Mosquito
46.0825.10 - 43.0377.10
10 cm

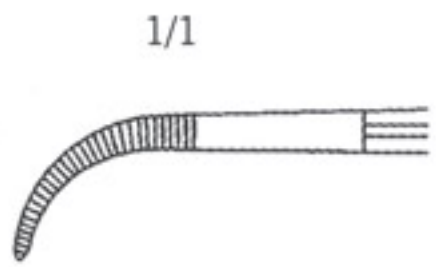


Mosquito
43.0494.12 - 43.0497.12
12.5 cm



Halsted-Mosquito
43.0502.12 - 43.0505.12
12.5 cm

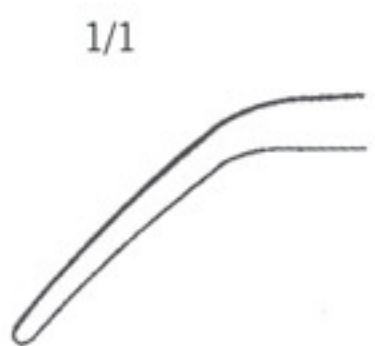
Artery Forceps, Towel Clamps
Arterienklemmen, Tuchklemmen
Pincés Hemostatiques, Pincés a Champs



Baby-Adson
43.0317.14
14 cm



Dieffenbach
55.0256.05
5 cm



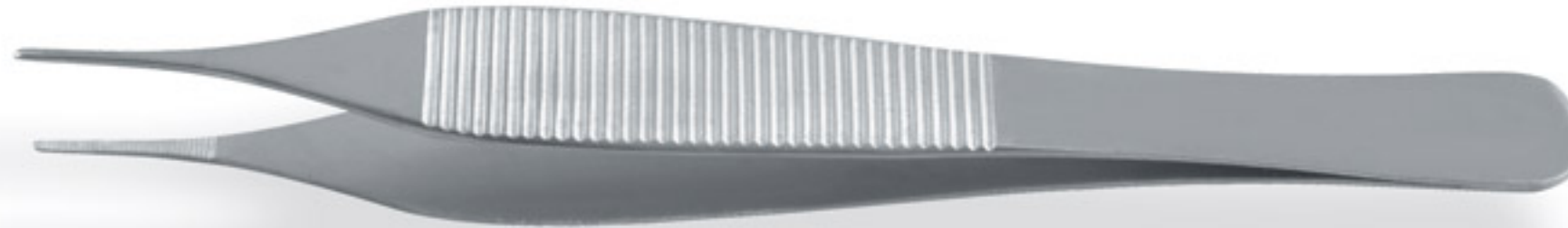
Backhaus
43.0865.08 8 cm
43.0869.11 11 cm
43.0873.13 13 cm

Micro Forceps, Iris Forceps
 Mikro Pinzette, Iris Pinzetten
 Micro Pincers, Pincers Pour l' Iris

1/1



44.0130.12 12 cm
 44.1130.12 12 cm
 44.0134.15 15 cm
 44.1134.15 15 cm



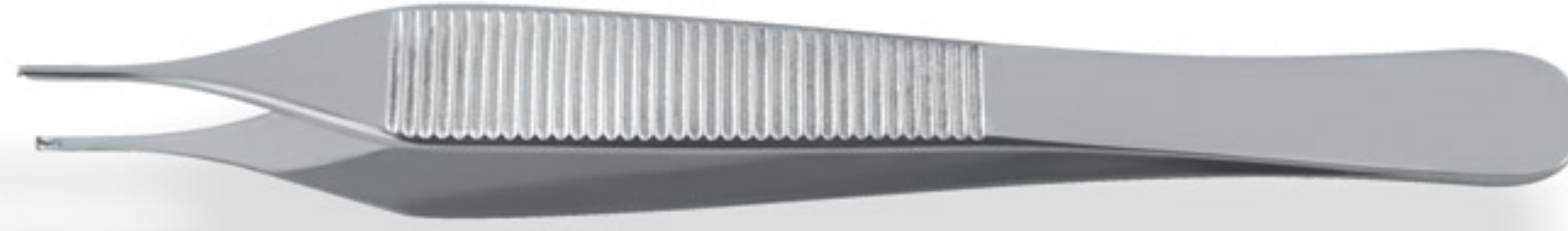
Micro Adson
 44.0130.12 - 44.0134.15
 44.1130.12 - 44.1134.15 **Titanium**

1/1

1:2



44.0138.12 12 cm
 44.1138.12 12 cm
 44.0142.15 15 cm
 44.1142.15 15 cm



Micro Adson
 44.0138.12 - 44.0142.15
 44.1138.12 - 44.1142.15 **Titanium**



Graefe
 45.0164.07 - 45.0250.10

1/1

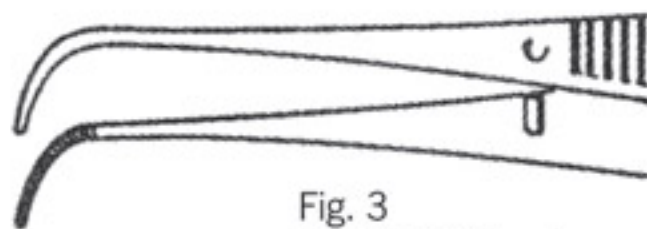


Fig. 3
 45.0179.07 7 cm
 45.0181.10 10 cm

1:2

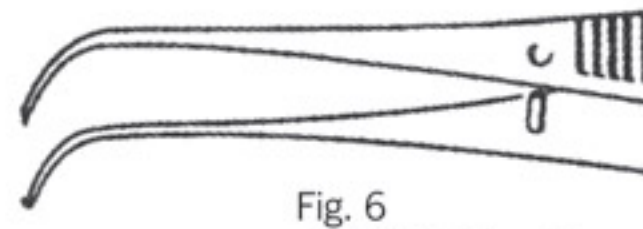


Fig. 6
 45.0201.07 7 cm
 45.0205.10 10 cm

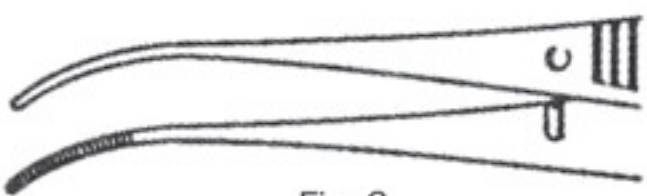


Fig. 2
 45.0171.07 7 cm
 45.0175.10 10 cm

1:2

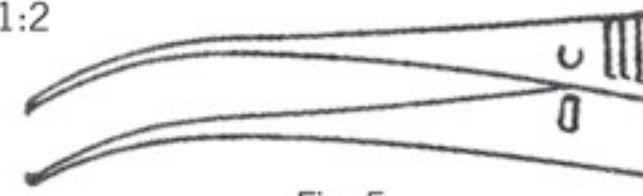


Fig. 5
 45.0193.07 7 cm
 45.0197.10 10 cm



Fig. 1
 45.0164.07 7 cm
 45.0168.10 10 cm

1:2

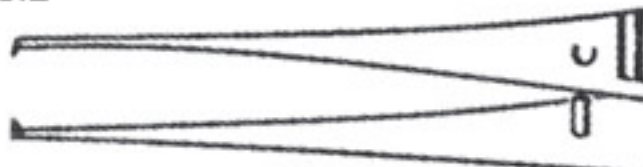


Fig. 4
 45.0186.07 7 cm
 45.0190.10 10 cm

Iris Forceps
Iris Pinzetten
Pincès Pour l' Iris



1/1

↔ 1:2

	45.0221.05	0.5 mm
	45.0225.07	0.7 mm
	45.0229.10	1.0 mm

↔ 1:2

	45.0220.05	0.5 mm
	45.0224.07	0.7 mm
	45.0228.10	1.0 mm

↔ 1:2

	45.0209.05	0.5 mm
	45.0213.07	0.7 mm
	45.0217.10	1.0 mm

↔ 1:2

	45.0208.05	0.5 mm
	45.0212.07	0.7 mm
	45.0216.10	1.0 mm



Graefe
45.0208.05 - 45.0229.10

1/1

↔ 1:2

	Fig.3
	45.0245.10
	45.1245.10

↔ 1:2

	Fig.2
	45.0241.10
	45.1241.10

↔ 1:2

	Fig.1
	45.0240.10
	45.1240.10

↔ 1:2

	Fig.3
	45.0237.10
	45.1237.10

↔ 1:2

	Fig.2
	45.0233.10
	45.1233.10

↔ 1:2

	Fig.1
	45.0232.10
	45.1232.10



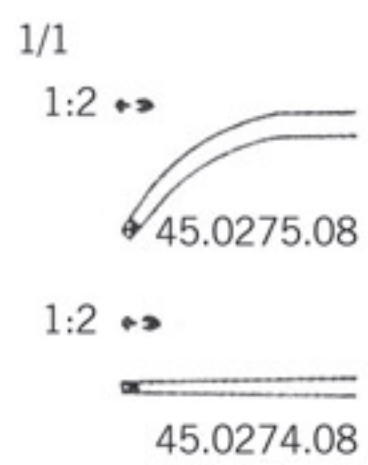
Stevens
45.0232.10 - 45.0245.10
45.1232.10 - 45.1245.10 **Titanium**
10 cm

1/1

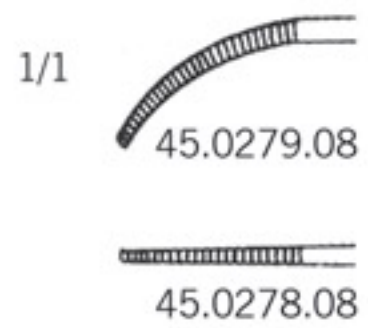


Kirby
45.0271.09
9.0 cm

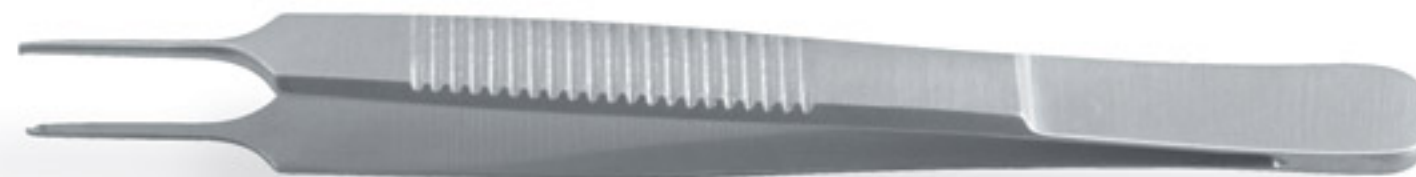
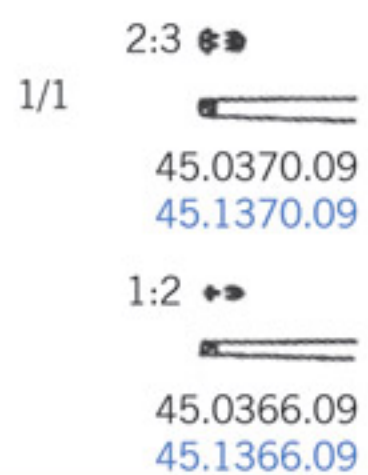
Iris Forceps
Iris Pinzetten
Pincès Pour l' Iris



Foerster
45.0274.08 - 45.0275.08
8.5 cm



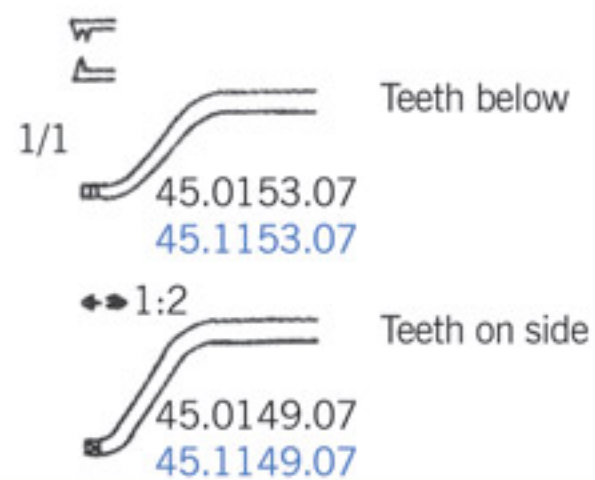
Foerster
45.0278.08 - 45.0279.08
8.5 cm



Lester
45.0366.09 - 45.0370.09
45.1366.09 - 45.1370.09 **Titanium**
9.0 cm



Bishop Harman
45.0260.08 - 45.0264.08
45.1260.08 - 45.1264.08 **Titanium**
8.0 cm



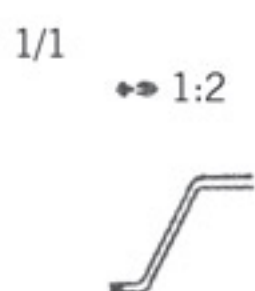
Gill Hess
45.0149.07 - 45.0153.07
45.1149.07 - 45.1153.07 **Titanium**
7.0 cm



Hess
45.1780.06
45.1781.06 **Titanium**
6.0 cm



Hess
45.1776.07
45.1777.07 **Titanium**
7.0 cm



Hess
45.0161.09
45.1161.09 **Titanium**
9.0 cm

Suture Forceps
Nahtpinzetten
Pince de Suture



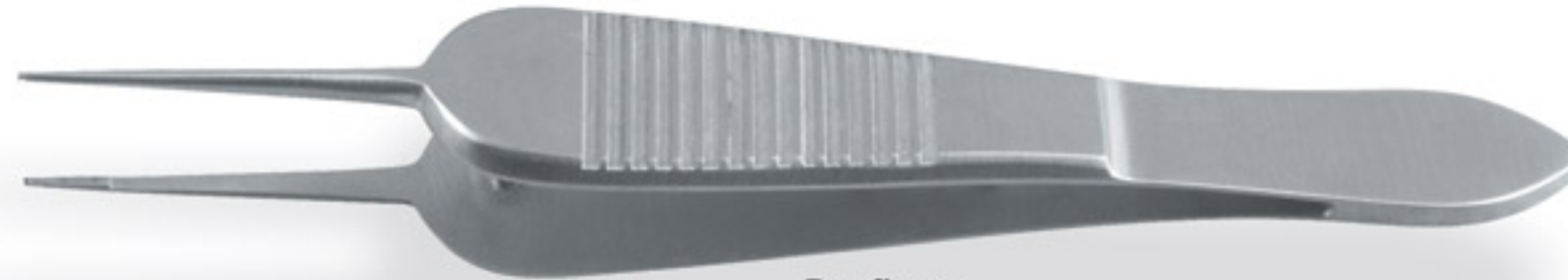
Suture Forceps
45.1828.08
8.0 cm



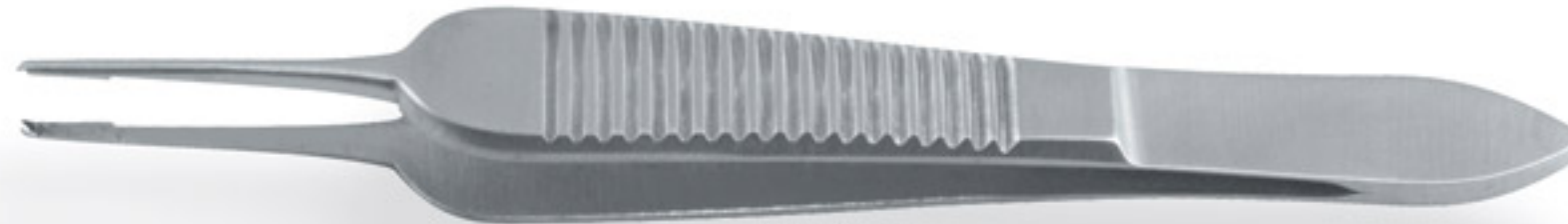
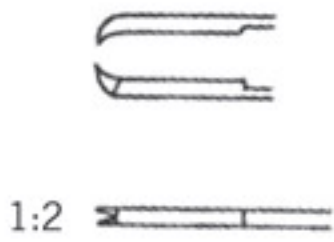
Suture Forceps
45.1832.10
10 cm



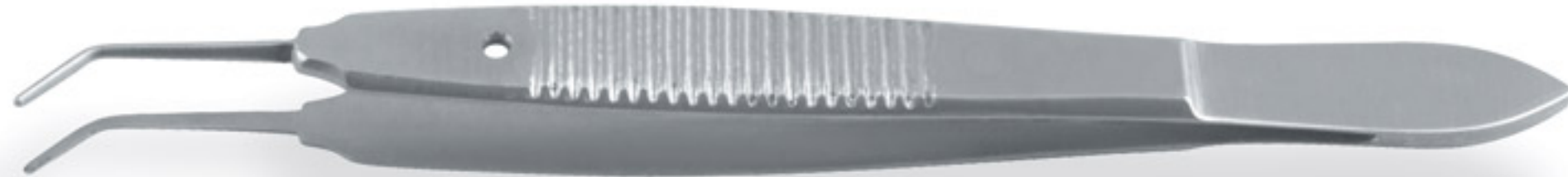
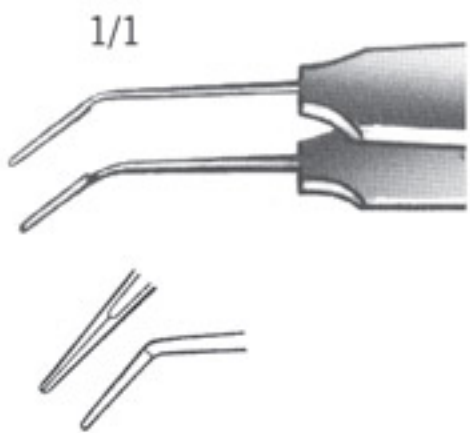
Suture Forceps
45.1836.08
8.0 cm



Paufigue
45.1812.10
45.1813.10 **Titanium**
10 cm



Paufigue
45.0354.10
45.1354.10 **Titanium**
10 cm



McPherson
45.1820.10
45.1821.10 **Titanium**
10 cm

1/1		45.0307.10	0.12 mm
		45.0311.10	0.30 mm
1:2		45.0315.10	0.50 mm
		45.0319.10	1.0 mm
		45.0323.10	1.5 mm

1:2		45.0306.10	0.12 mm
		45.0310.10	0.30 mm
		45.0314.10	0.50 mm
		45.0318.10	1.0 mm
		45.0322.10	1.5 mm



Castroviejo
45.0306.10 - 45.0322.10 (Str)
45.0307.10 - 45.0323.10 (Cvd)

Skeleton Forceps, Fixation Forceps
 Skeleton Pinzetten, Fixier Pinzette
 Pincas a Skeleton, Pincas a Fixer



45.1808.00
 0.4 x 10 mm



45.1804.00
 0.3 x 10 mm



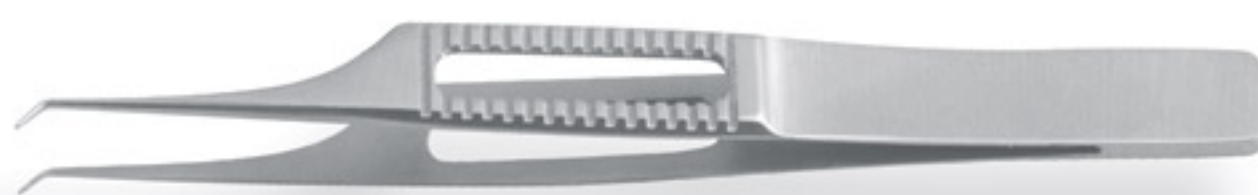
45.1800.00
 0.2 x 10 mm



Dermot-Pierse
 45.1800.08 - 45.1808.08
 8.0 cm



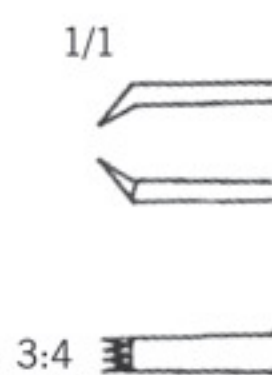
0.2 x 10 mm



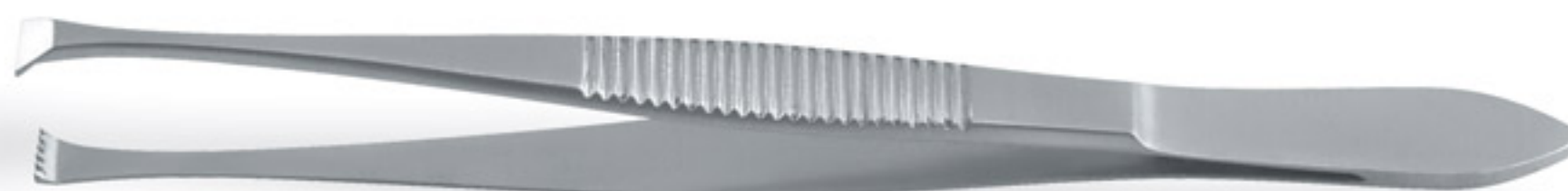
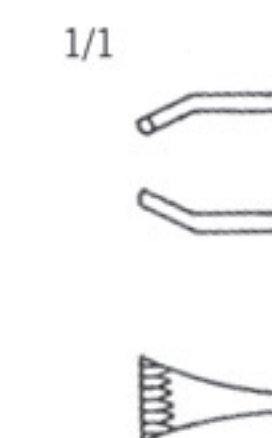
Dermot-Pierse
 45.1792.08
 8.0 cm



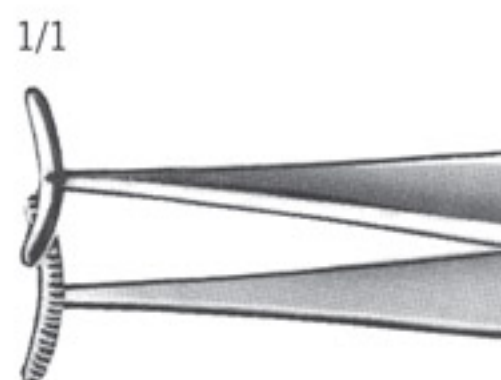
Barraquer Katzin
 45.1784.07
 7.0 cm



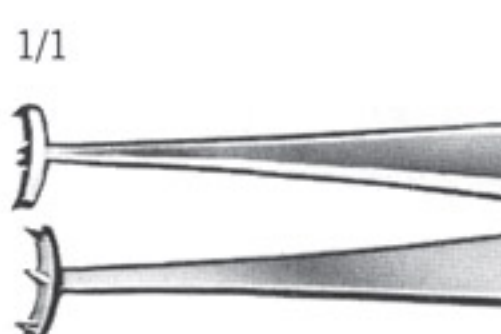
Elsching
 45.0394.11
 45.1394.11 **Titanium**
 11 cm



Graefe
 45.0382.11
 45.1382.11 **Titanium**
 11 cm



45.1870.07 5 cm
 45.1874.10 10 cm

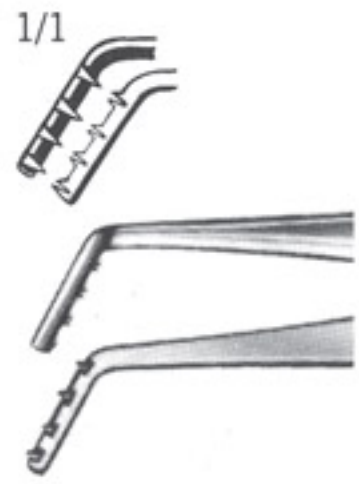


45.1860.07 5 cm
 45.1866.10 10 cm

Muscular, Advancement & Entropium Forceps
 Pince Musculaire, Advncement & Entropion
 Muskulos, Advncement & Entropium Zange



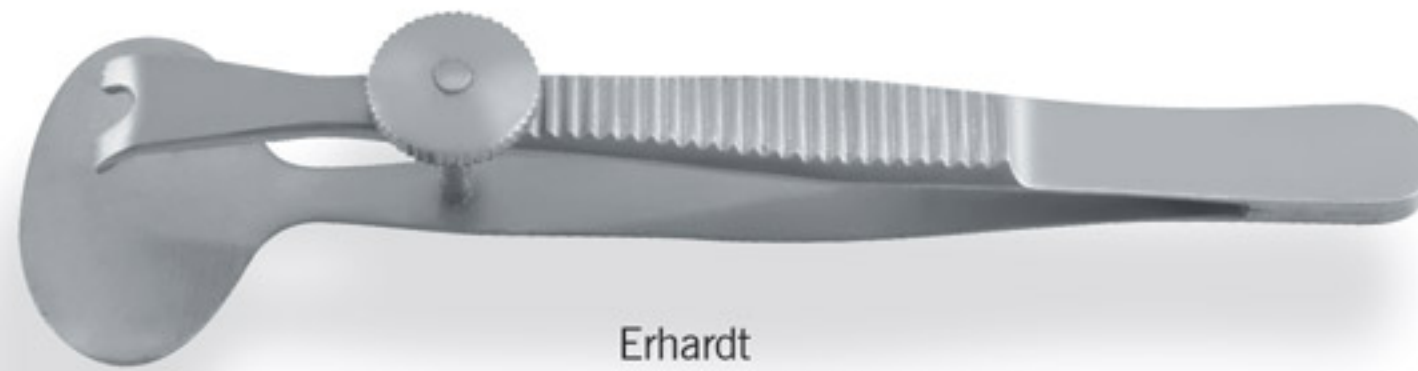
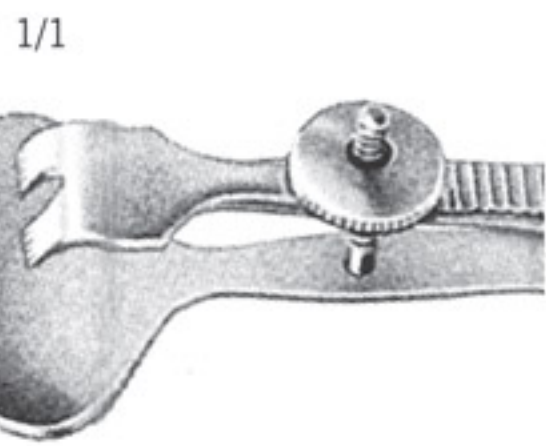
Sattler
 45.1886.10
 10 cm



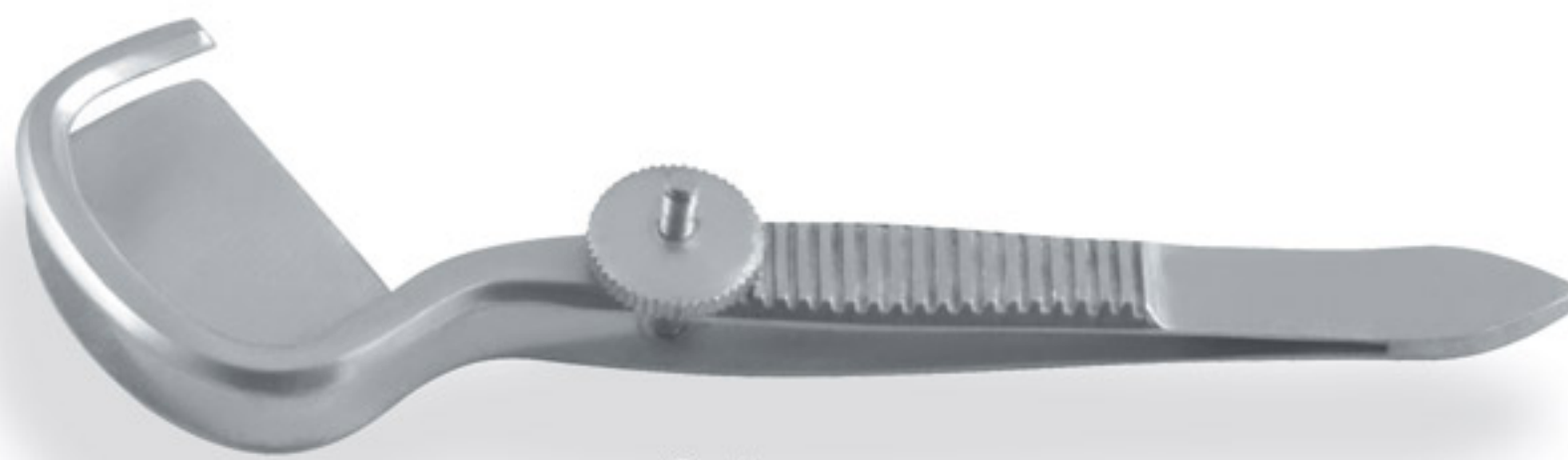
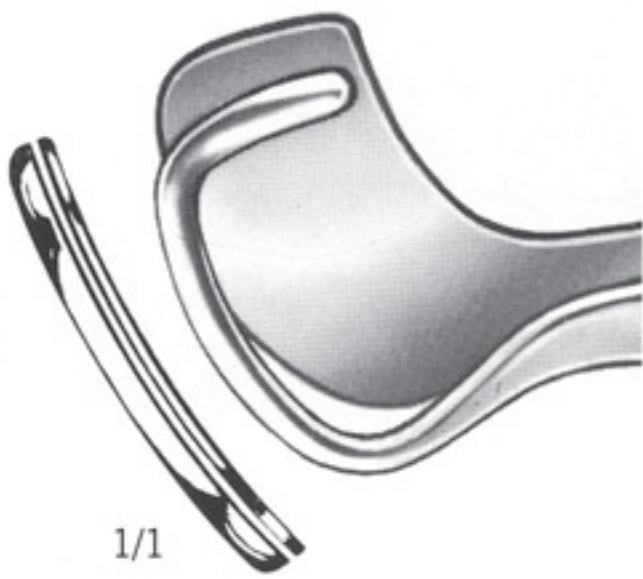
Prince
 45.1882.10
 10 cm



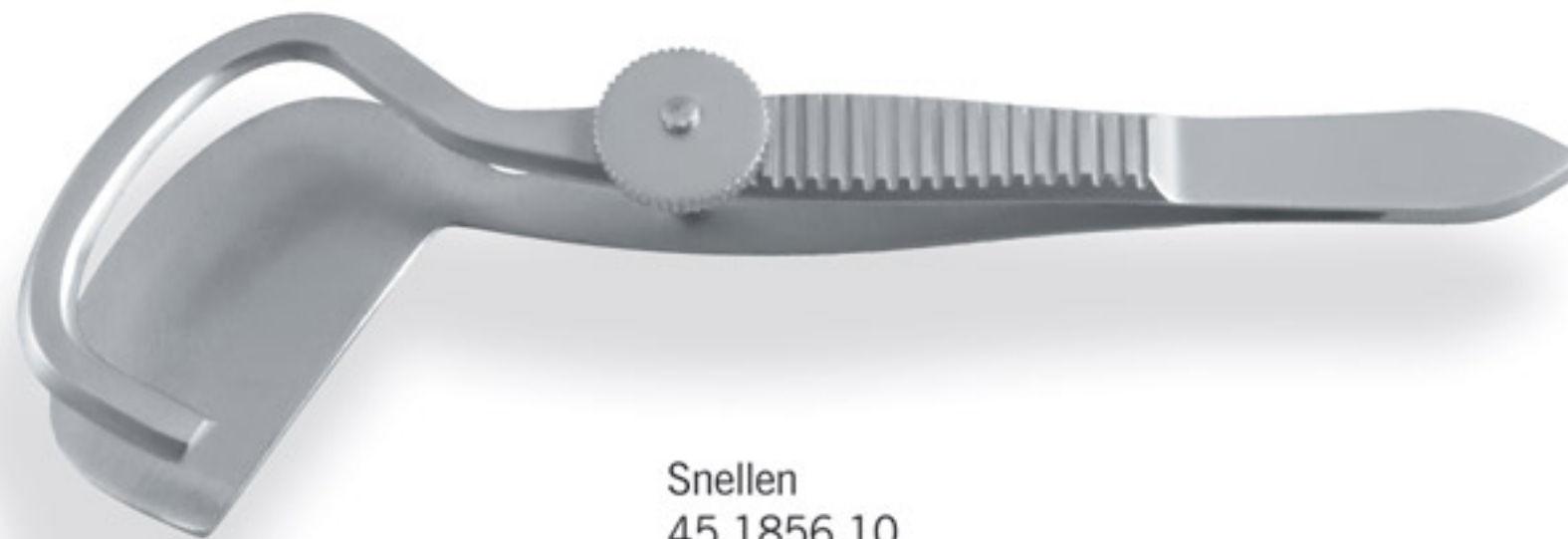
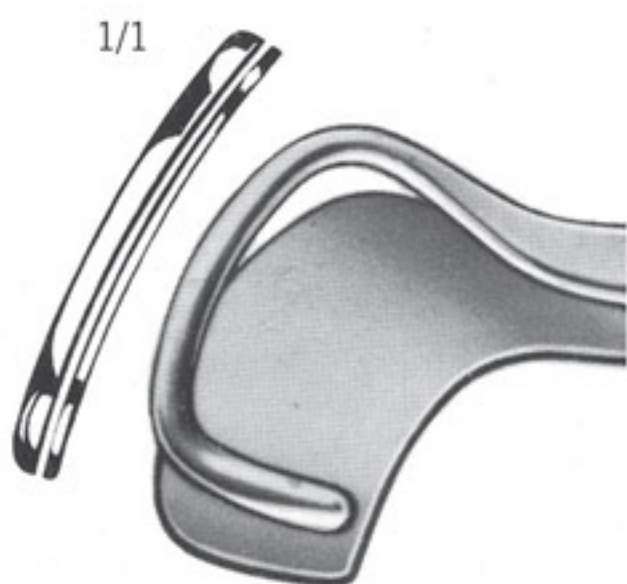
Prince
 45.1878.10
 10 cm



Erhardt
 45.0358.09
 9.0 cm

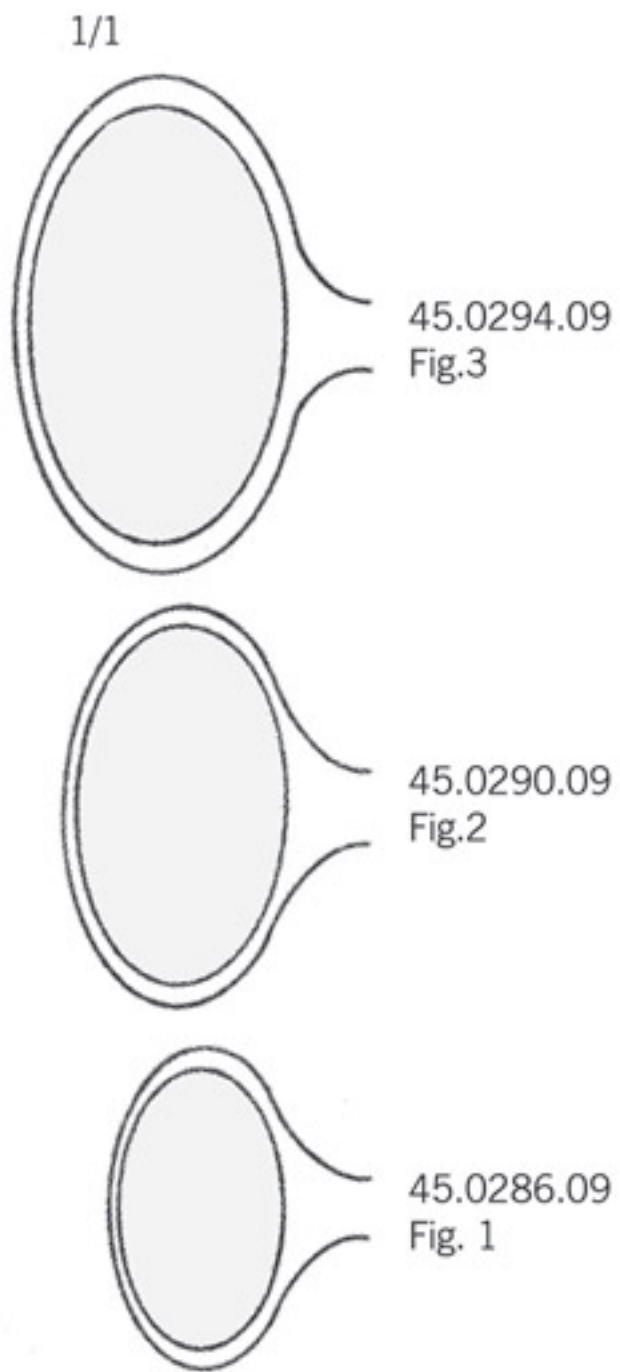


Snellen
 45.1852.10
 10 cm

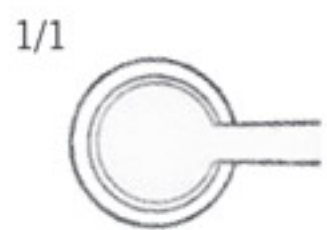


Snellen
 45.1856.10
 10 cm

Trachoma Forceps, Strabismus Forceps
 Trachom Pinzetten, Zangen Strabismus
 Pincas a Granulation du Trachome, Pincas a Strabisme



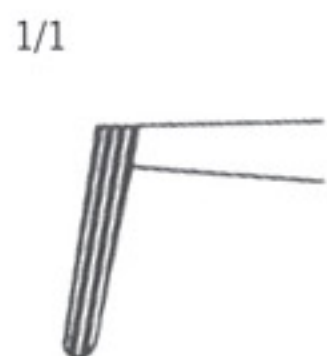
Desmarres
 45.0286.09 - 45.0294.09
 9.0 cm



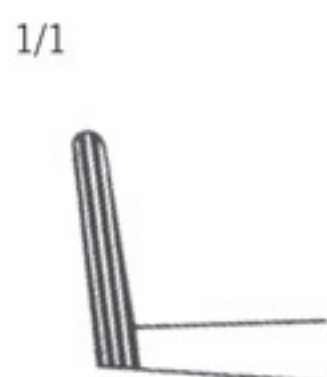
Ayer Suture
 45.0298.09
 9.0 cm



Knapp
 45.1848.11
 11 cm



Blascovics
 45.0339.09
 9.0 cm



Blascovics
 45.0335.09
 9.0 cm

Capsular Forceps, Cilia Forceps
Kapsel-Pinzetten, Zangen Cilia
Pincas Caspsulaires, Pincas Cilia

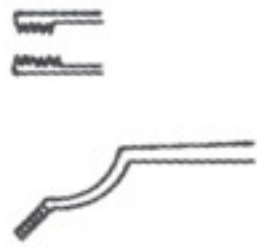


Shepard
45.1846.00



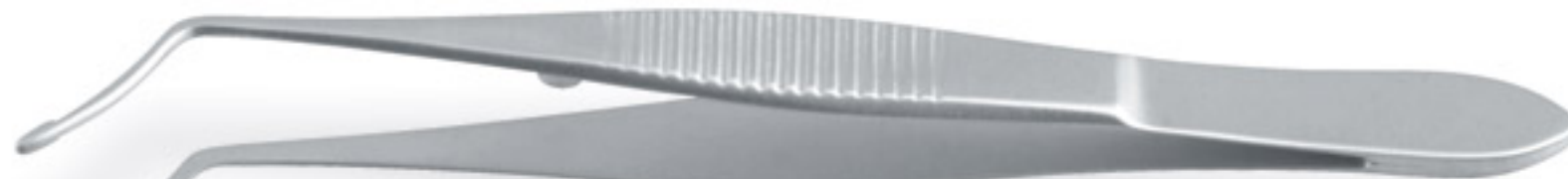
Shepard
45.1842.00

1/1



Terson
45.0111.09
9.0 cm

1/1

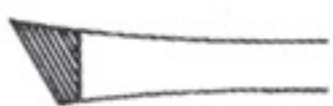


Arruga
45.0107.10
10 cm



Beer
45.1690.07
7.0 cm

1/1



Cilia Forceps
44.0583.09
9.0 cm

1/1



Micro Forcep
45.0410.12
45.1410.12 Titanium
12 cm

1/1

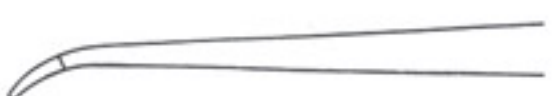


Jewelers Forcep
45.1824.12
45.1825.12 Titanium
12 cm



Ring Tip Forcep
45.1696.00
45.1697.00 Titanium

1/1



Micro Forcep
45.0453.18
45.1453.18 Titanium
18 cm

Eye Specula, Retractors
 Eye Spcula, Retraktoren
 Spcula Yeux, Retracteurs



Graefe
 45.1111.07 7.0 cm
 45.1115.09 9.0 cm



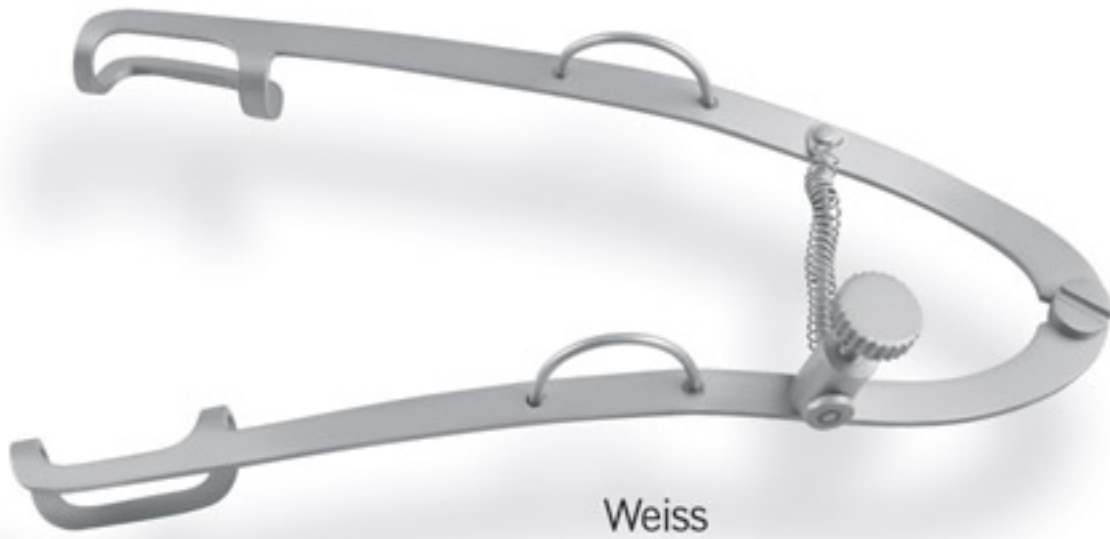
Muller
 45.1119.07
 7.0 cm



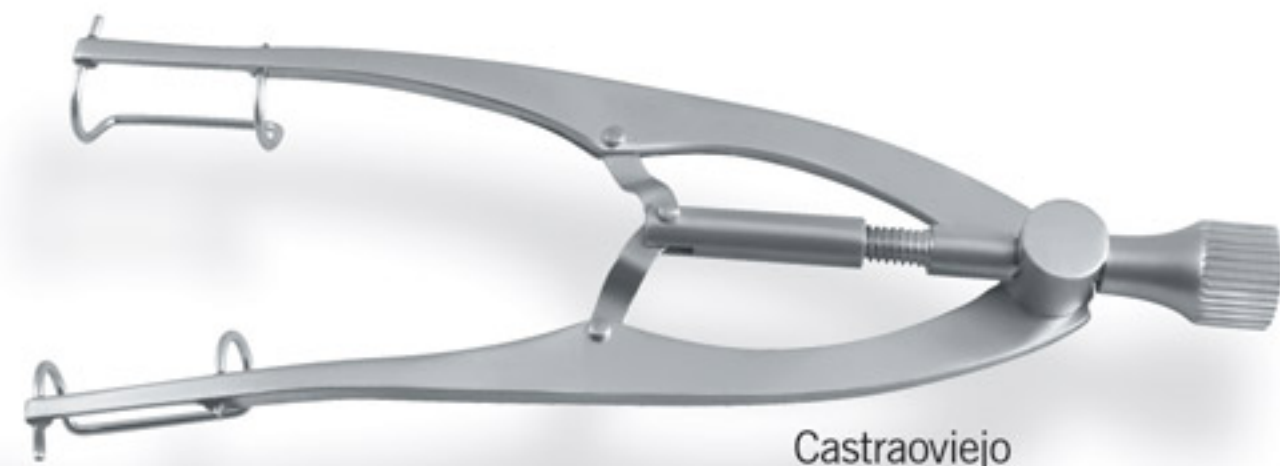
Weiss
 45.1123.08
 8.0 cm



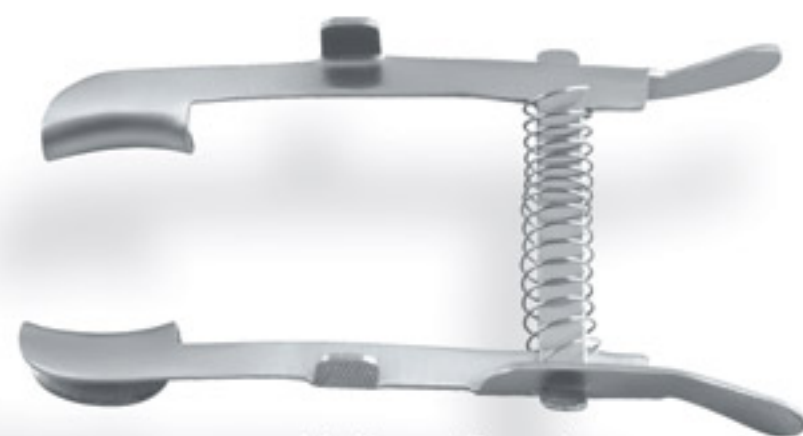
Bowman
 45.1103.07
 7.0 cm



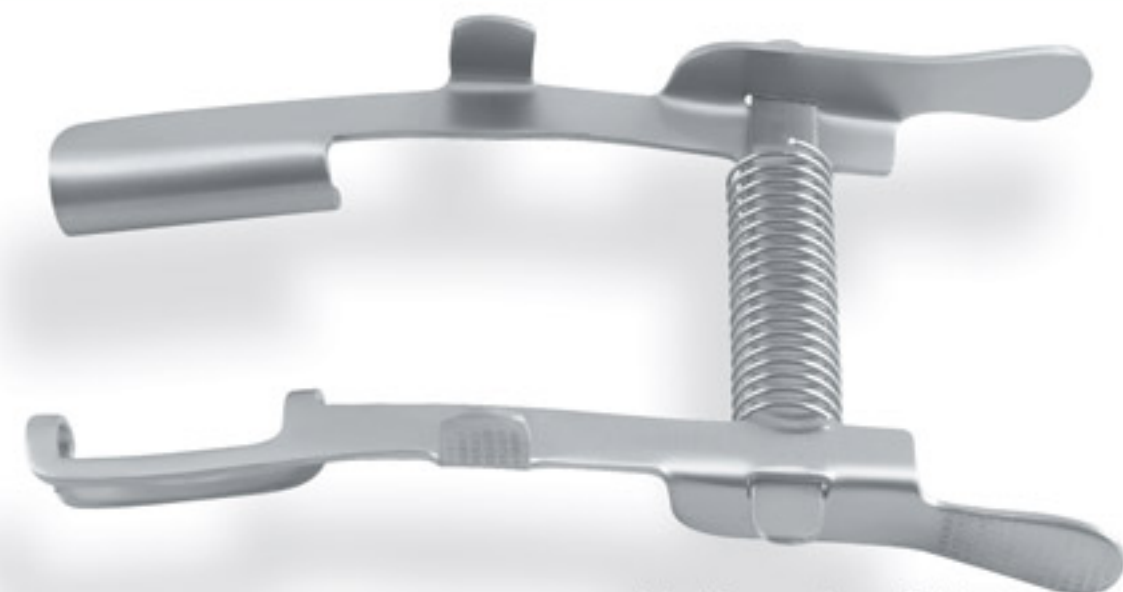
Weiss
 45.1125.07 7.0 cm
 45.1129.09 9.0 cm



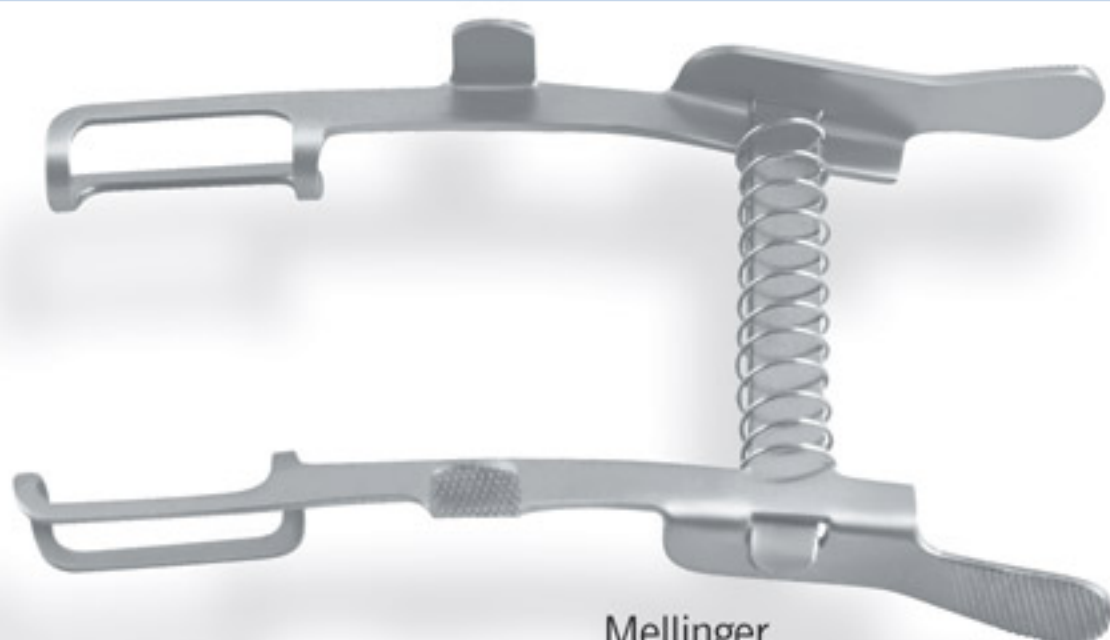
Castraviejo
 45.1147.08
 8.0 cm



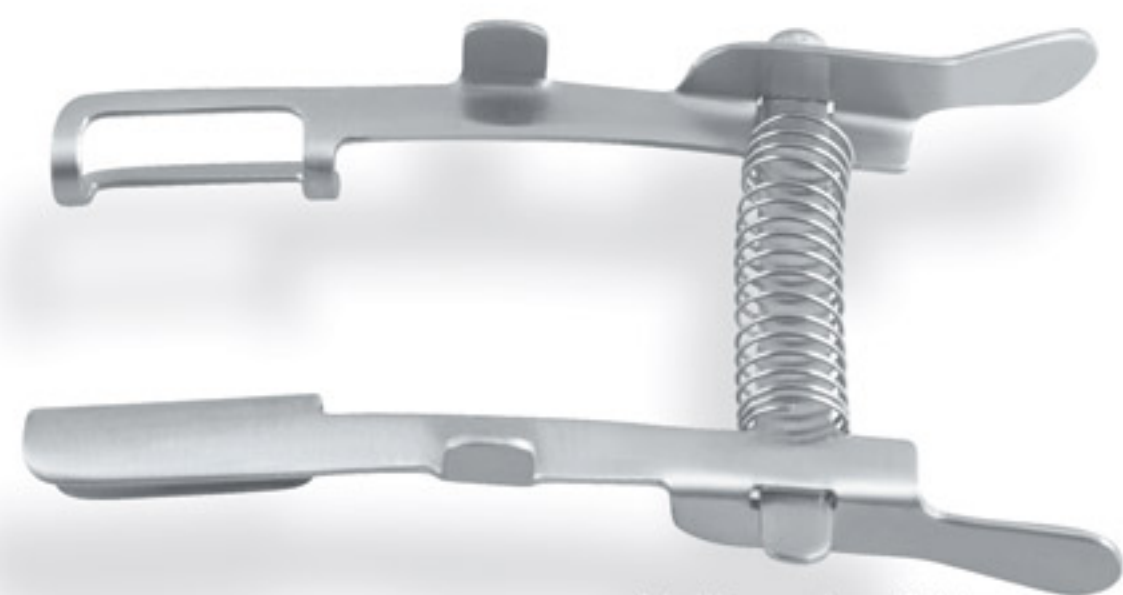
Mellinger Beard
 45.1183.05 5.0 cm
 45.1187.07 7.0 cm



Mellinger-Axenfeld
 45.1191.07
 7.0 cm



Mellinger
 45.1175.05 5.0 cm
 45.1179.07 7.0 cm

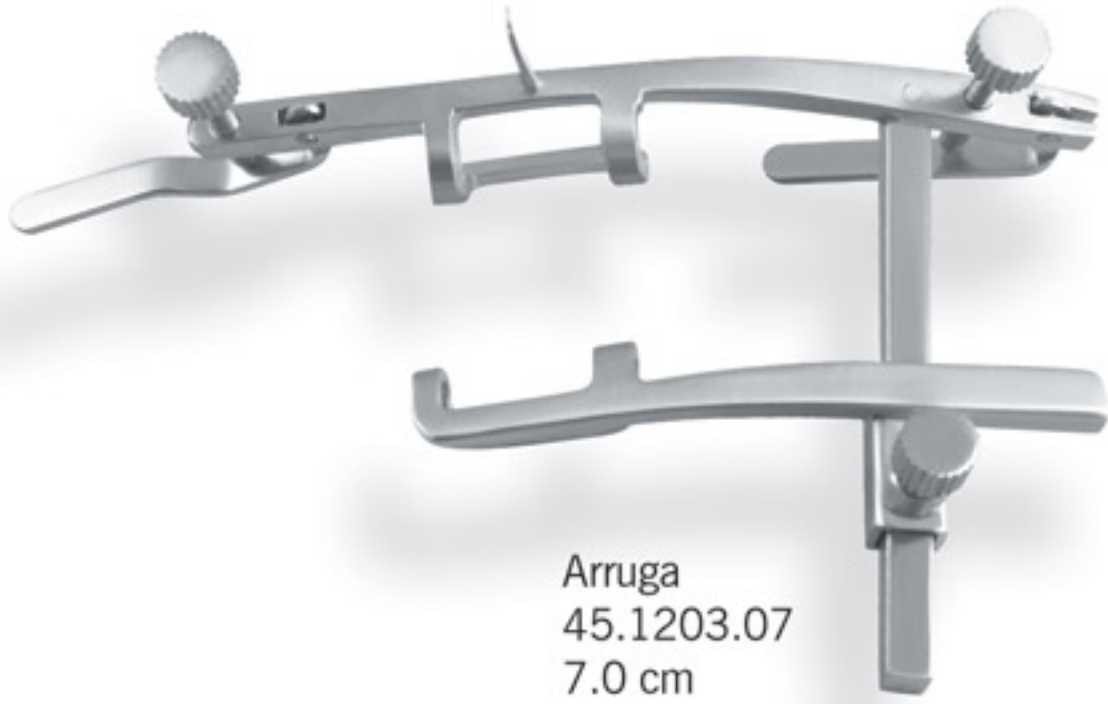


Mellinger-Axenfeld
 45.1195.07
 7.0 cm

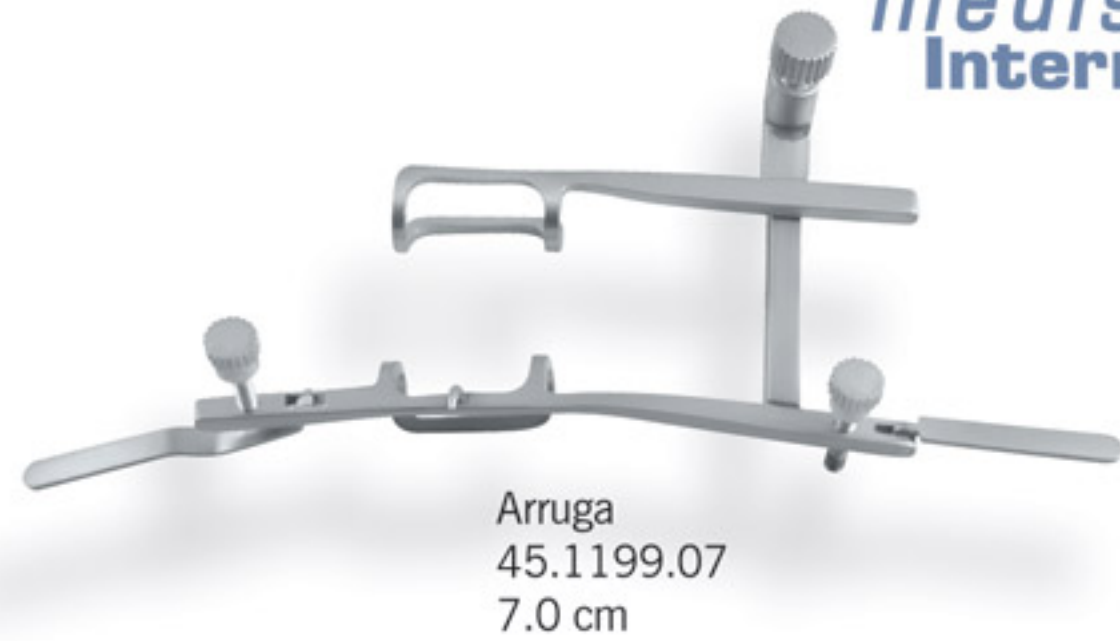
Eye Specula, Retractors
 Eye Spcula, Retraktoren
 Spcula Yeux, Retracteurs



medisana
 International



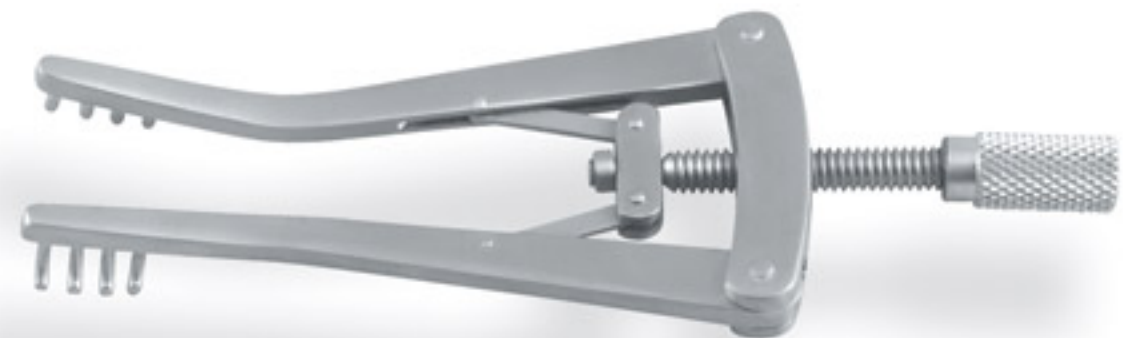
Arruga
 45.1203.07
 7.0 cm



Arruga
 45.1199.07
 7.0 cm



Finsen
 48.0292.05 5.0 cm sharp
 48.0293.05 5.0 cm blunt
 48.0296.07 7.0 cm sharp
 48.0297.07 7.0 cm blunt



Finsen
 48.0284.07 7.0 cm sharp
 48.0285.07 7.0 cm blunt
 48.0288.10 10 cm sharp
 48.0289.10 10 cm blunt



Barraquer
 45.1095.03 3.0 cm
 45.1099.04 4.0 cm



Murdock
 45.1163.05
 5.0 cm



Sauer
 45.1151.03
 3.0 cm



Critchett
 45.1107.07
 7.0 cm



Pley
 45.1167.06
 6.0 cm

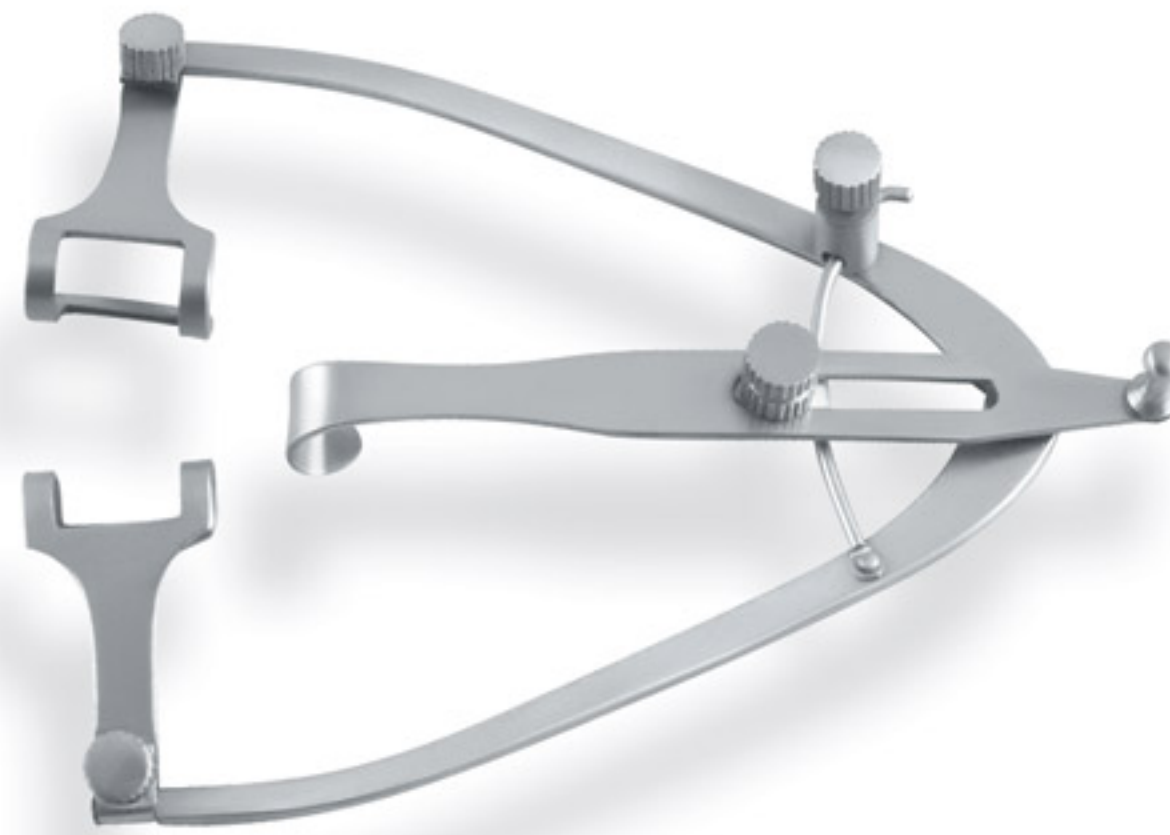


Ziegler
 45.1171.07
 7.0 cm

Eye Specula, Retractors, Double-ended Instruments
Eye Spcula, Retraktoren, Doppel-End-Geraten
Spcula Yeux, Retracteurs, Double-End Instruments



Williams
45.1139.07 7.0 cm
45.1143.08 8.0 cm



Guyton-Park
45.1207.08
8.0 cm



Lancaster
45.1155.07
7.0 cm



Dix
45.0985.00



45.1650.00

Cataract Knives, Various Eye Knives
 Starmesser, Verschiedene Eye Messer
 Couteaux a Cataracte, Divers Couteaux Oculaires

1/1



45.1565.06
 3.0 x 32 mm
 Fig.6



45.1562.05
 2.5 x 35 mm
 Fig.5



45.1558.04
 2.3 x 33 mm
 Fig.4



Graefe
 45.1558.04 - 45.1565.06

1/1



Wheeler
 45.1522.00

1/1



Graefe
 45.1529.00

1/1



45.1506.03
 7 mm
 Fig.3



45.1502.02
 6 mm
 Fig.2



45.1498.01
 5 mm
 Fig.1

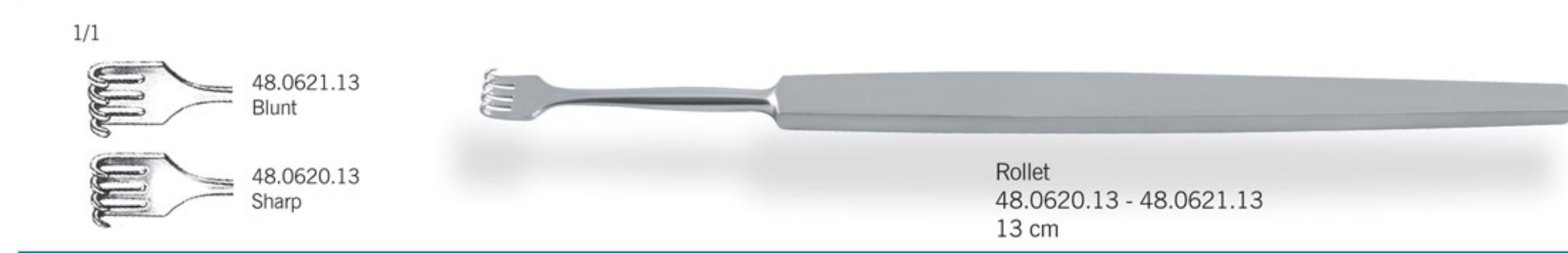
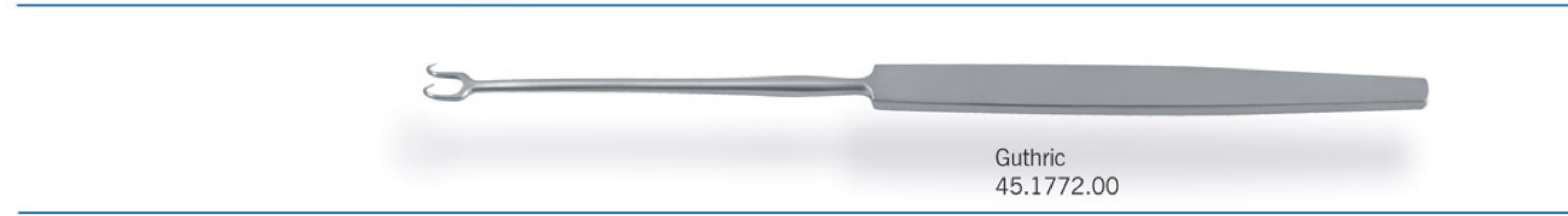
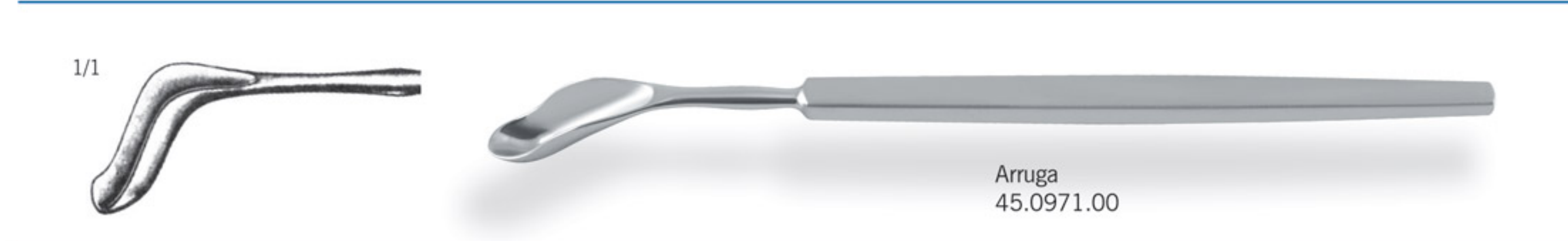
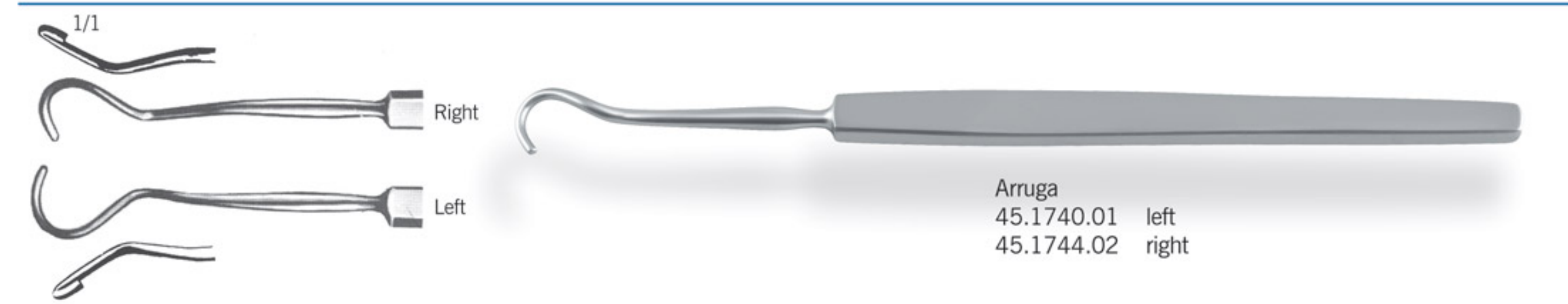
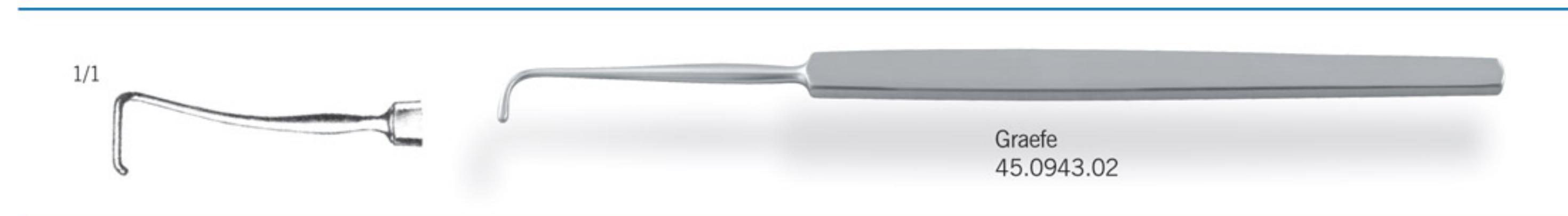
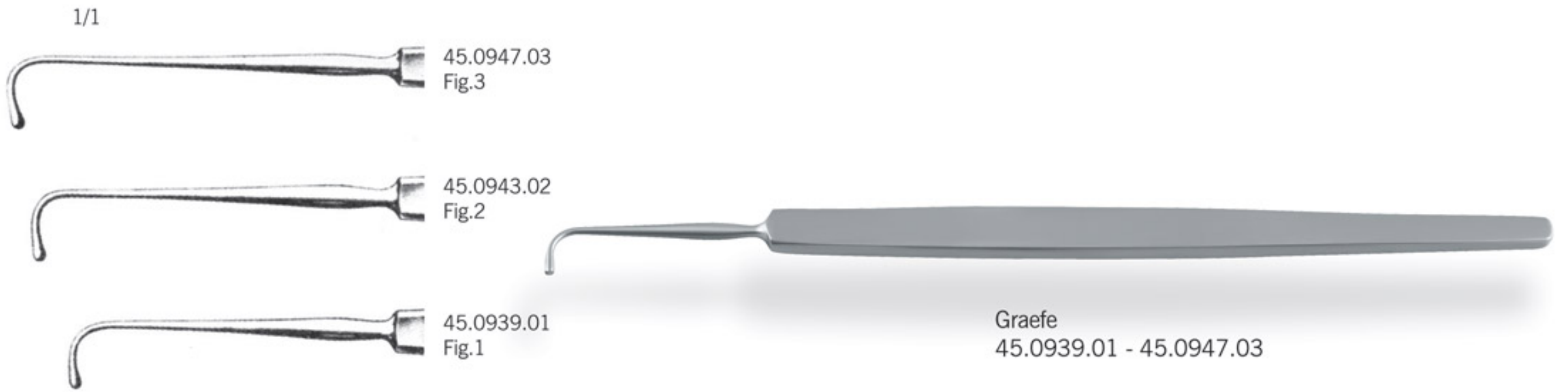


Ziegler
 45.1502.02 - 45.1506.03



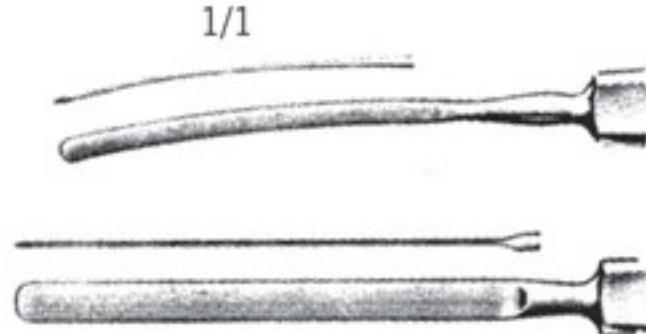
Walter
 45.1756.00

Hooks and Hooklets, Retractors
 Hook & Hakchen, Retraktoren
 Hook & Petits Crochets, des Retracteurs

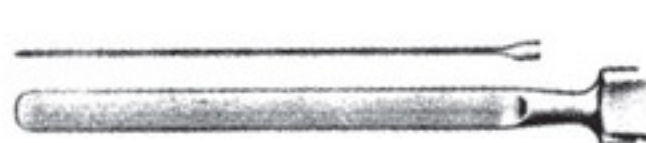


Lens Expressors Instruments, Eye Spoons, Cyclodialysis Spatulas
 Objektiv Expressoren Instruments, Eye Löffel, Spatel Cyclodiaysis
 Objectif Expresseurs Instruments, Cuiller Yeux, Spatules Cyclodiaysis


1/1




45.0907.01
45.1907.01
1 mm



45.0904.02
45.1904.02
2 mm



Wecker
45.0904.02 2 mm
45.0907.01 1 mm (wheeler)
45.1904.02 2 mm
45.1907.01 1 mm (wheeler) **Titanium**



Wadsworth Todd
45.1760.00

1/1




Wells
45.0886.00
45.1886.00 **Titanium**

1/1



Smooth



Weber
45.1449.21
45.1450.21 **Titanium**

1/1



mm Ø 1.0



Walton
45.0992.00
1.5 mm



Dissecting Micro Needle
45.1764.00
45.1765.00 **Titanium**

1/1




Castroviejo Barraquer
45.0857.10
45.1857.10 **Titanium**
10 cm



Charlex
45.1736.00
45.1737.00 **Titanium**

1/1




Elsching
45.0817.10
45.1817.10 **Titanium**
10 cm




Kuhnt
45.1065.03

Double-ended Instruments, Lid Instruments
 Deckel Instrumente, Doppel-End-Geraten
 Instrument Couvercle, Double-End Instruments



1/1  


Smith-Fisher
 45.1732.12
 45.1733.12 **Titanium**
 12 cm





Meyhoefer
 45.1752.00

1/1  

Meyhoefer
 45.0882.00
 3.7. x 2.7 mm

1/1  

Gross Curettes
 49.0592.12
 12 cm

1/1  

Castroviejo
 45.0893.01 0.5 x 15 mm
 45.0897.02 0.75 x 15 mm
 45.1893.01 0.5 x 15 mm **Titanium**
 45.1897.02 0.75 x 15 mm

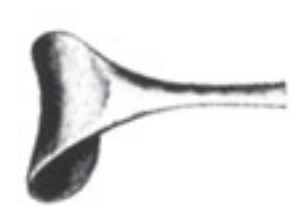

1/1  

Walton
 45.0992.00
 1.5 mm

1/1  

45.1025.02
 45.1026.02
 Cvd
 45.1022.01
 45.1023.01
 Str

Jaeger
 45.1022.01 - 45.1025.02
 45.1023.01 - 45.1026.02 **Titanium**

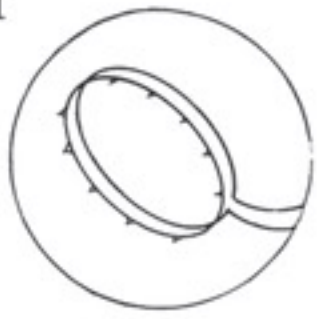
 

Desmarres
 45.1215.01
 13 cm



8 cm
 Castroviejo
 45.1654.08 15mm
 45.1664.08 20mm

1/1



Thornton
 45.1662.00



Mendez
 45.1666.00

1/1



Bores
 45.1670.04 4
 45.1674.06 6
 45.1678.00 8
 45.1682.12 12
 45.1686.16 16

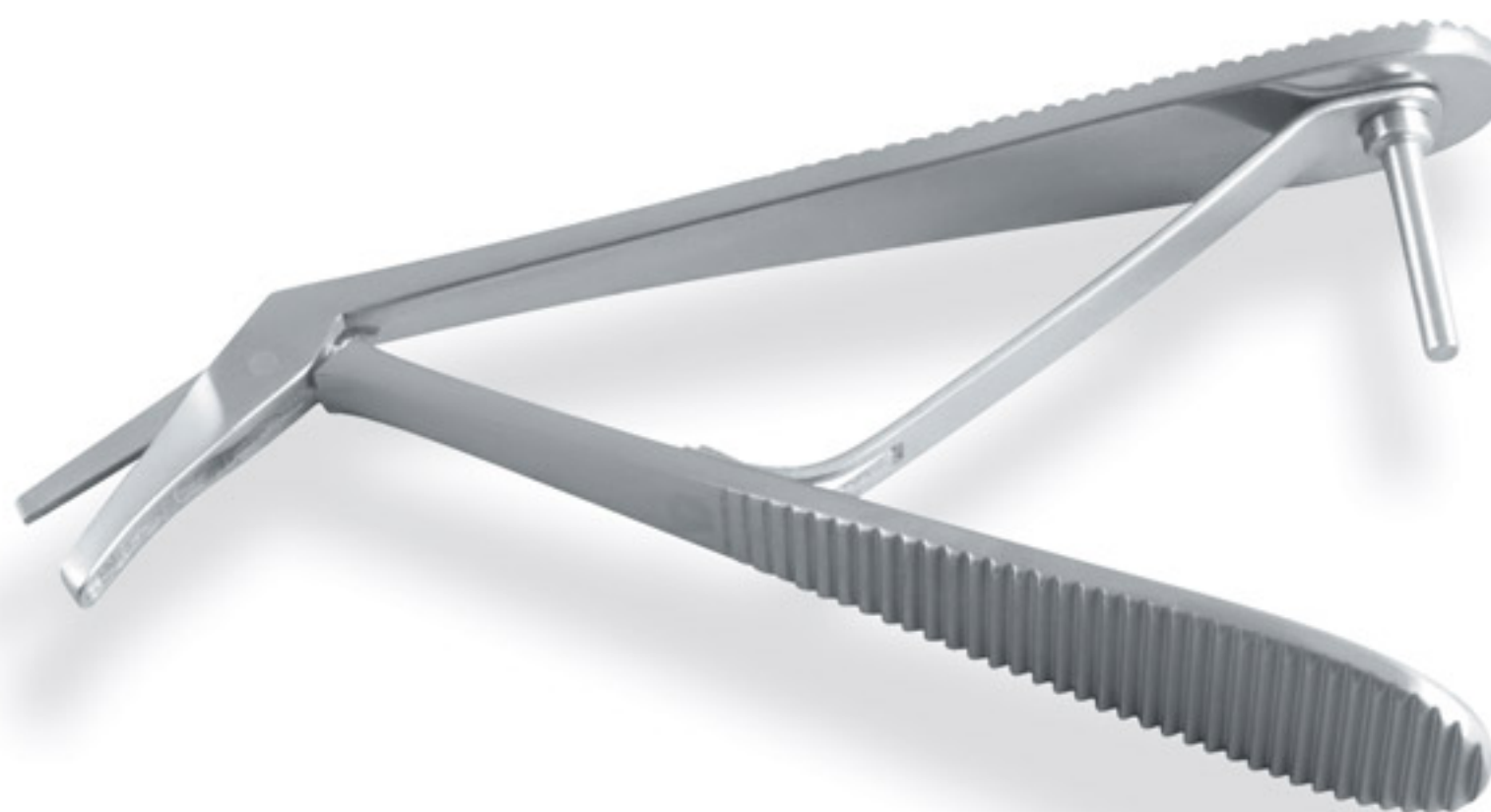


Bowmann (Williams)
 45.1326.00 fig.00 0.7 mm
 45.1330.00 fig.0 0.8 mm
 45.1334.00 fig.1 0.9 mm
 45.1338.00 fig.2 1.1 mm
 45.1342.00 fig.3 1.3 mm
 45.1346.00 fig.4 1.4 mm
 45.1350.00 fig.5 1.5 mm
 45.1354.00 fig.6 1.6 mm
 45.1358.00 fig.7 1.8 mm
 45.1362.00 fig.8 1.9 mm

Ear Punches
Ear Punches
Gouges, Osteotomes Emport-pieces



Kerrison
45.1704.00



Holth
45.1658.00

Cannulas
Kanulen
Canules



Mod Hamberg
45.1938.00



Simcoe
45.1942.00



Mod Bonn
45.1946.00



Scheie
45.1950.00



Mod Tubingen
45.1954.00



Scheie
45.1958.00



Simcoe
45.1972.00 13 mm
45.1976.00 21 mm



Irrigating Vectis
45.1980.00



Lacrimal
45.1984.00



Jensen
45.1988.00 25 gauge
45.1992.00 23 gauge



Castroviejo
45.1994.00



Straight

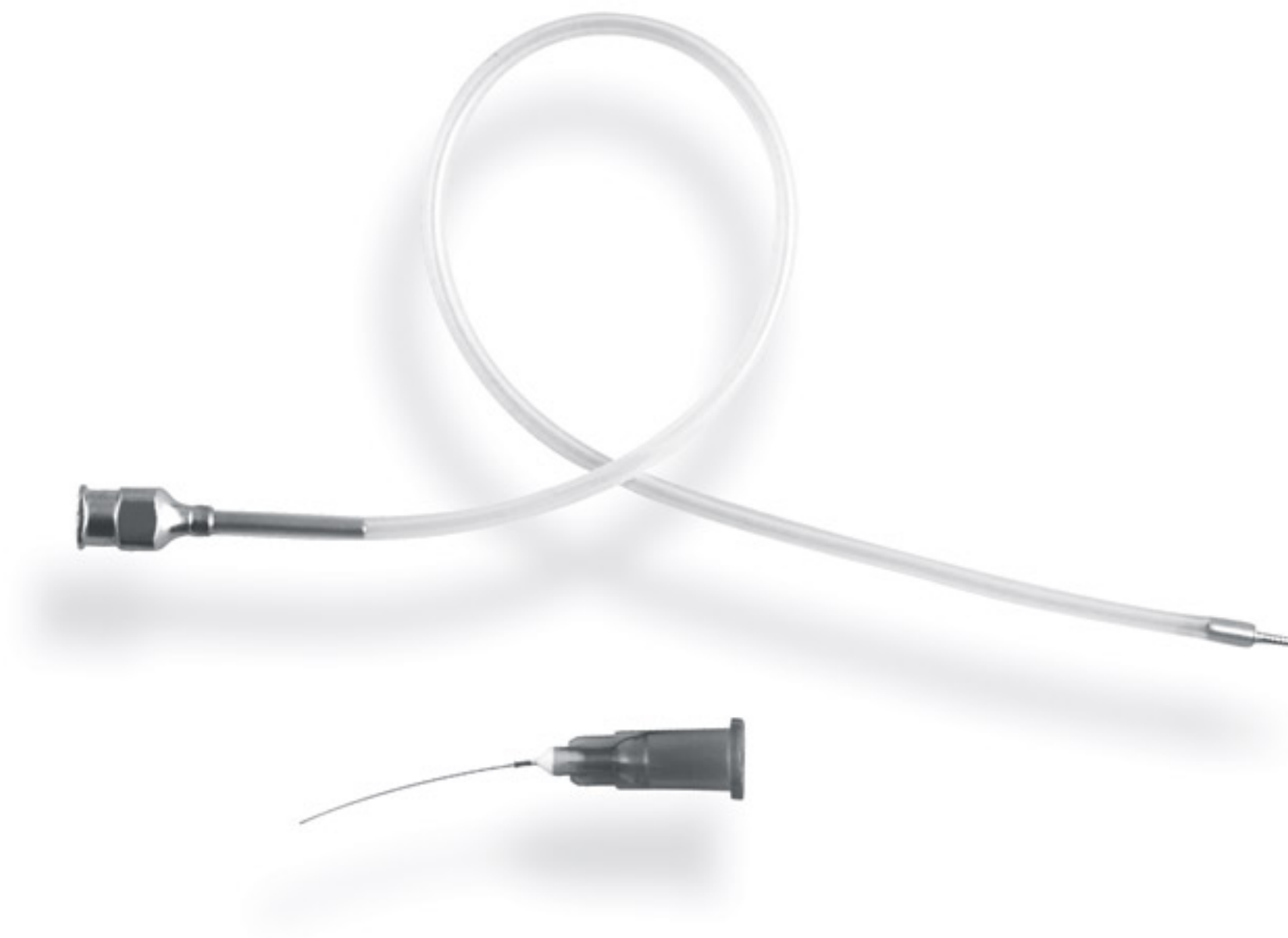


Angled

McIntyre		
45.1998.00	23 gauge	Straight
45.2002.00	23 gauge	Angled
45.2006.00	26 gauge	Straight
45.2010.00	26 gauge	Angled
45.2012.00	30 gauge	Straight
45.2014.00	30 gauge	Angled



Simcoe
45.2016.00



Chamber Maintainer
45.2020.00 25 gauge
45.2024.00 23 gauge
45.2028.00 20 gauge





medisana
International

Medisana International

P.O. Box 1357

Sialkot – Pakistan

Tel: 0092 52 4293666

Email: info@medisanaintl.com